

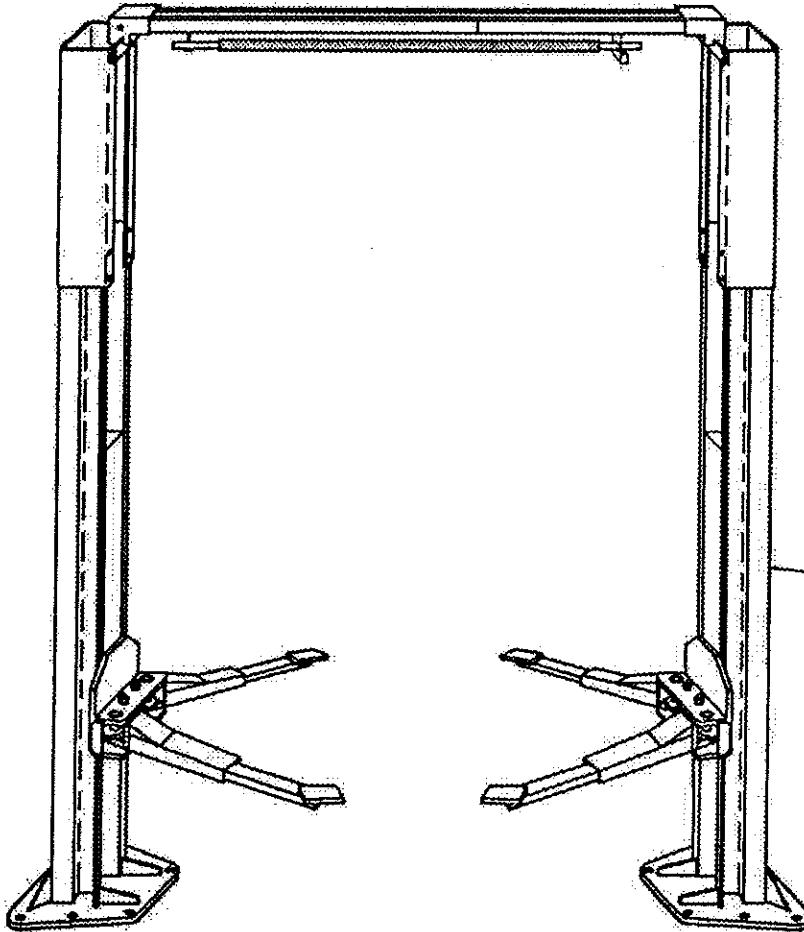
ROTARY LIFT

P.O. Box 1560 Madison, IN. 47250
 WORLD LEADER IN LIFT SYSTEMS
 A **DOVER** INDUSTRIES COMPANY

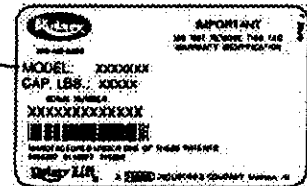
MODELS: SPO7-W07

SPO9

PARTS BREAKDOWN



ETL Listed



IMPORTANT: When ordering parts or requesting service always give exact model and power unit serial number. Model number is shown on nameplate attached to base of Power Unit column. Power unit serial number is located on side of power unit reservoir.

NOTES:

- New power unit models are now being used. Models are as follows:
- SPO7 single phase = P650
- SPO7 three phase = P851
- SPO9 single phase = P602
- SPO9 three phase = P604

OWNERS RECORD

Complete information at right and keep in a safe place.

Date Installed _____

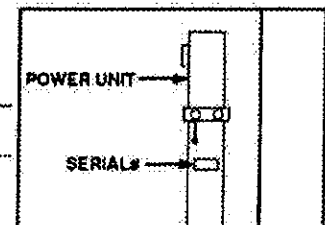
Installed in Bay # _____

Std. Serial # _____ Power Unit Model # _____

3 ph. Serial # _____ Power Unit Model # _____

Order # _____

Model No# _____

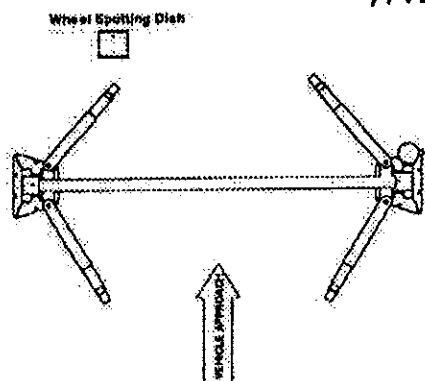


NOTE: For Replacement Parts - See Your Nearest Rotary Parts Distributor.

SPO7/9 PARTS LIST

ITEM NO.	DESCRIPTION	SPO7 PART NO.	SPO9 PART NO.	ITEM NO.	DESCRIPTION	SPO7 PART NO.	SPO9 PART NO.
1	L.H. Column Assembly	FJ7760	N11-1	35 †	Adjustment Bolts & Washers	†	†
2	R.H. Column Assembly	FJ7761	N12-1	36	Gear Bolts 3/8" - 16NC x 1 1/2"	12 REQ'D	12 REQ'D
3	Column Extension	FJ7657	FJ7657		HHCS Grade 5		
4	Carriage Yoke Assembly	FJ7762	FJ7762	37	3/8" Spring Washers	12 REQ'D	12 REQ'D
5	Outer Arm	FJ7763-1	FJ7772-1	38	Restraint Gear	FJ7750	FJ7750
6	Outer Arm	FJ7763-1	FJ7772-1	39	Slider Block	FJ7360	FJ7360
7	Hydraulic Cylinder	FJ7352-1	FJ7352-1	40	3/8" Concrete Anchor (16 Req'd)	FJ7300	FJ7300
8	Power Unit	See "Notes" On Front Cover		41	1 1/2" O.D. x .760-.770" I.D. x .045" Thick Mach. Bushing	4 REQ'D	4 REQ'D
9	Power Unit Hose	FJ837	FJ837	42	1/4" - 20NC x 2" HHCS	1 REQ'D	1 REQ'D
10	3/16" - 18NC x 3/4" Bolt, Ext Tooth LW&Nut	4 REQ'D	4 REQ'D	43	1/2" - 20NC Lock Nut	2 REQ'D	2 REQ'D
11	Inner Arm	FJ7416-2	FJ7416-2	44	1/8" x 1" Lg. Cotter Pin	1 REQ'D	1 REQ'D
12	Stop Bolt	FC576	FC576	45 @@	Limit Switch Assembly	FJ7613 @@	FJ7613 @@
13	3/16" Washer, Black Oxide	4 REQ'D	4 REQ'D	46	Switch Bar Assembly	FJ7613-2	FJ7613-2
14	Order with Complete Ass'y Item #11	FJ7416-2	FJ7416-2	47	R.H. Latch Sheave Bracket Assy	FJ7446-5	FJ7446-5
15	High Step Adapter	FJ671-1	FJ671-1	48 @	R.H. Overhead Assembly	FJ7446 @	FJ7446 @
16	Low Step Adapter	FJ671-2	FJ671-2	49	3/8" - 16NC x 3/4" Long HHCS	4 REQ'D	4 REQ'D
17	Adapter Pin	FJ671-3	FJ671-3	50	3/8" Flat Washer	4 REQ'D	4 REQ'D
18	3/32" Hog Ring For 1/2" Shaft	FJ671-6	FJ671-6	51	Overhead Hose	FJ838	FJ839
19	Adapter Swivel Pin	FJ79-6	FJ79-6	52	Equalizer Cable Assembly	FJ7450	FJ7450
20	Bleeder Screw MF	2 REQ'D	2 REQ'D	53 @	L.H. Overhead Assembly	FJ7447 @	FJ7447 @
21	Carriage Bumper (6" Long--2 Req'd)	FJ7391-2	FJ7391-2	54	Locking Latch Cable Assembly	FJ7594-1	FJ7594-1
22	Arm Pin	FJ7838	FJ7838	55	3/8" - 16NC x 1" Flanged HHCS	8 REQ'D	8 REQ'D
23	Approach Bumper (Door-18" Lg-2 Req'd)	FJ7391-1	FJ7391-1	56	3/8" - 16NC Flanged Locknut	12 REQ'D	12 REQ'D
24	1/2" - 13NC Hex Lock Nut	4 REQ'D	4 REQ'D	57	Sheave Shaft	FJ7444-8	FJ7444-8
25	3/16" x 2" Long Cotter Pin	4 REQ'D	4 REQ'D	58	Bracket	FJ7613-1	FJ7613-1
26	Truarc #5304-75 Klipping for 3/8" Shaft	1 REQ'D	1 REQ'D	59	1/2" - 20NC x 3/4" HHCS Grade 5	6 REQ'D	6 REQ'D
27	Sheave	FJ7116-1	FJ7116-1	60	L.H. Latch Sheave Bracket Assy	FJ7446-3	FJ7446-3
28	Wheel Spotting Dish	FF729	FF729	61	Locking Latch Sheave	FJ7322	FJ7322
29	Actuator Pin Handle	FJ7985-1	FJ7985-1	62	Truarc Klip #5304-37 for 3/8" Shaft	2 REQ'D	2 REQ'D
30	Actuator Pin	FJ7646-1	FJ7658-1	63	Hose Clip (4 Req'd)-Overhead	FJ7206	FJ7206
31	Retaining Ring	FJ7646-2	FJ7646-2	64	#10 - 24NC x 3/4" Lg. Slotted NHTS (For Overhead)	4 REQ'D	4 REQ'D
32	Arm Restraint Spring	FJ7813-10	FJ7656-2		3/16" - 18NC x 3/4" Lg. Slotted PHMS (For Columns)	14 REQ'D	14 REQ'D
33	120T Gear Block	FJ7749	FJ7749	65	Branch Tee	FJ7668	FJ7668
34	Roll Pin, 1/4" dia. x 1 1/2" Lg. (stainless)	4 REQ'D	4 REQ'D	66	Hose Clip, Column, 6 Req'd	FJ7669	FJ7669
				67	3/8" - 16NC x 3/4" Lg. Flanged HHCS	12 REQ'D	12 REQ'D
				68	1/4" - 20NC Flanged Locknut	4 REQ'D	4 REQ'D
				69	3/4" Spacer	1 REQ'D	1 REQ'D
				70 @@	3 Phase Limit Switch Assy. For Units Using Above 250V.	FJ7979	FJ7979
				71	Single Phase Limit Switch (only)	P461-2	P461-2
				72 ▲	Three Phase Limit Switch (only)	FJ7979-1	FJ7979-1
				73	Limit Switch Bracket Cover	FJ7979-2	FJ7979-2
				74	1/4" External Tooth Lockwasher	2 REQ'D	2 REQ'D
				75	3/8" External Tooth Lockwasher	3 REQ'D	3 REQ'D
				76 **	Arm Restraint Kit (1 Arm)	FJ7688	FJ7688

14427 →



† Adjustment bolts, spring washers and SAE washers determined at assembly. Used only if required.

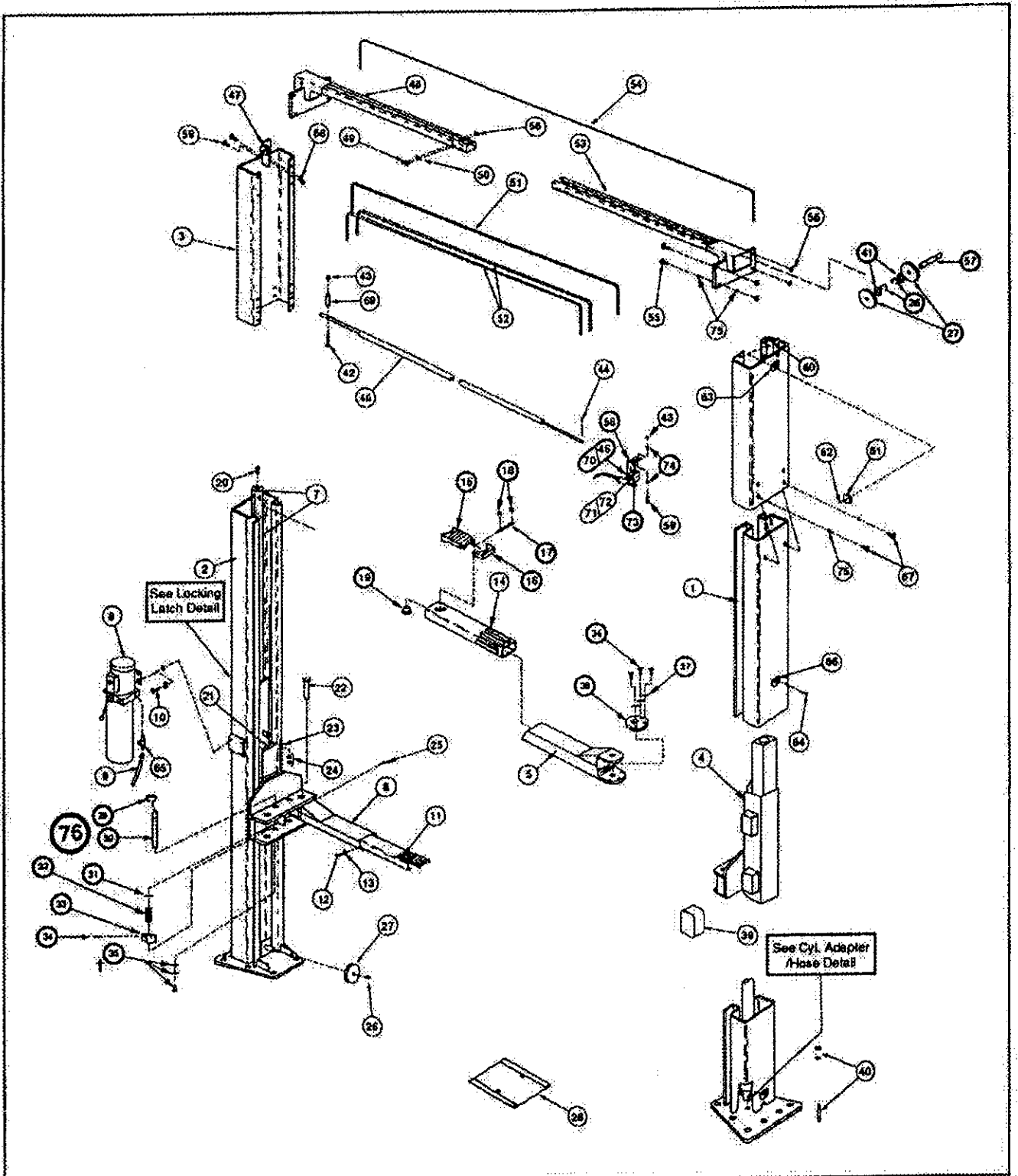
Bolt - 5/16" - 18NC x 5/8" Lg. SHCS
Spring Lock Washer - .078" thick
SAE Washer - 11/32" I.D. x 11/16" O.D. x 1/16" thick

*** Includes Item No's 29, 30, 31, 32, 33, 34, 35, 36, 37 & 38

@ Includes Item No's 26, 27, 41 & 57

@@ Includes Item 58, 73 & 74

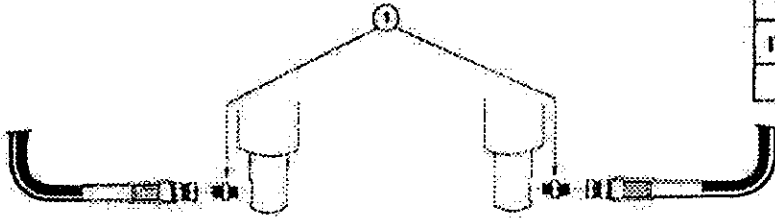
▲ For units using above 260V, 250V and lower use P461-2 switch.



For Extended Height Models Use Part Numbers Below As Cross Reference, All Other Parts Are Common

	#3-Column Extensions	#51-Overhead Hose	#50-Equalizer Cables	#55-Locking Latch Cable
SPO7 EH-1	FJ7665	FJ840	FJ7547	FJ7595-1
SPO7 EH-2	FJ7666	FJ841	FJ7528	FJ7595-1
SPO9 EH-1	FJ7665	FJ842	FJ7547	FJ7595-1
SPO9 EH-2	FJ7666	FJ843	FJ7528	FJ7595-1

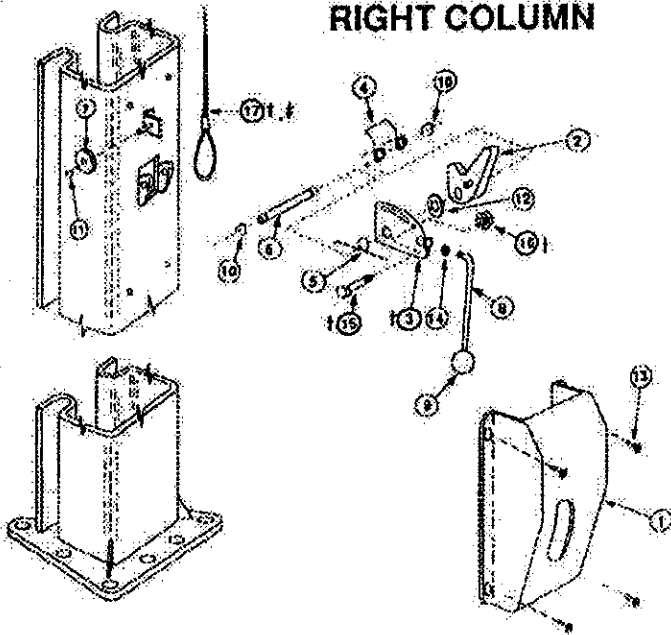
CYLINDER ADAPTER / HOSE DETAIL



CYLINDER ADAPTER/HOSE DETAIL PARTS LIST

ITEM NO.	DESCRIPTION	PART NO.
1	Straight Adapter	FJ7352-3

RIGHT COLUMN

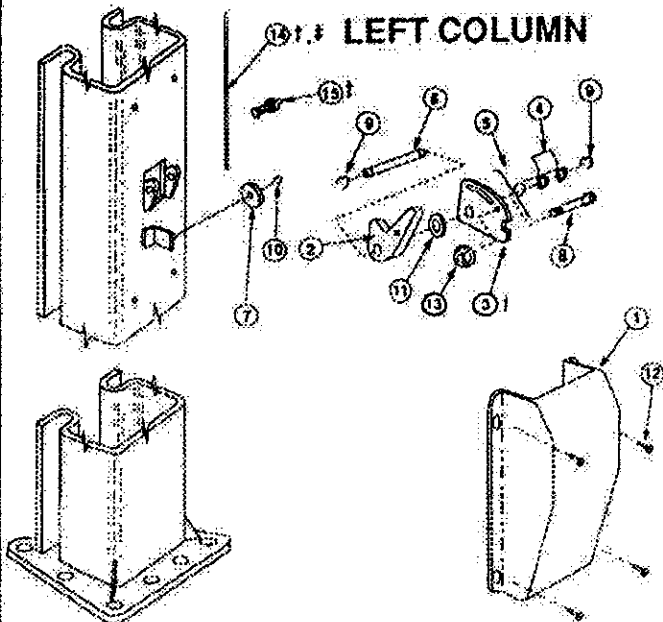


LOCKING LATCH DETAIL PARTS LIST

ITEM NO.	DESCRIPTION	PART NO.
1	Control Side Cover	FJ7452
2	Locking Latch Dog	FJ7382-7
3	Control Plate	FJ7594-2
4	Spring	FJ7382-2
5	Spring	FJ7382-9
6	Latch Shaft	FJ7382-3
7	Locking Latch Sheave	FJ7322
8	Handle	FJ7382-18
9	Ball Handle	FC134-01
10	Truarc Klipring #6304-75 for $\frac{3}{8}$ " Shaft	2 REQD
11	Truarc Klipring #6304-37 for $\frac{1}{8}$ " Shaft	2 REQD
12	$1\frac{1}{2}$ " O.D. x $\frac{3}{4}$ " I.D. x .045" Mach. Bush.	1 REQD
13	$\frac{1}{16}$ " — 18NC x $\frac{3}{8}$ " Lg. Slotted Pan Hd. Screw	4 REQD
14	$\frac{3}{8}$ " — 18NC Hex Jam Nut	1 REQD
15 †	Shoulder Bolt, $\frac{1}{16}$ " x 1" — $\frac{1}{4}$ " 20 NC	1 REQD
16 †	Flanged Locknut, $\frac{1}{2}$ " — 20 NC	1 REQD
17 †	Latch Cable	FJ7594-1
‡	For EH-1 & EH-2 Models Both O7 & 9	FJ7595-1

† - Locking Latch Retrofit Kit FJ7594; FJ7595 (EH-1 & 2)
Includes: 1 pc. #3, 1 pc. #17, 2 pcs. #15, 2 pcs. #16,
1 pc. #3 (left side below), 1 pc. #15 (left side below)

LEFT COLUMN



LOCKING LATCH DETAIL PARTS LIST

ITEM NO.	DESCRIPTION	PART NO.
1	Latch Cover	FJ7451
2	Locking Latch Dog	FJ7382-7
3 †	Control Plate	FJ7382-5
4	Spring	FJ7382-2
5	Spring	FJ7382-9
6	Latch Shaft	FJ7382-3
7	Locking Latch Sheave	FJ7322
8	Shoulder Bolt, $\frac{1}{16}$ " x 1" — $\frac{1}{4}$ " 20NC	1 REQD
9	Truarc Klipring #6304-75 for $\frac{3}{8}$ " Shaft	2 REQD
10	Truarc Klipring #6304-37 for $\frac{1}{8}$ " Shaft	2 REQD
11	$1\frac{1}{2}$ " O.D. x $\frac{3}{4}$ " I.D. x .045" Mach. Bush.	1 REQD
12	$\frac{1}{16}$ " — 18NC x $\frac{3}{8}$ " Lg. Slotted Pan Hd. Screw	4 REQD
13	Flanged Locknut, $\frac{1}{2}$ " — 20 NC	1 REQD
14	Latch Cable	FJ7594-1
15	Latch Cable Clamp (BURNDY)	KS-15
‡	For EH-1 & EH-2 Models Both O7 & 9	FJ7595-1

† Locking Latch Retrofit Kit FJ7594; FJ7595 (EH-1 & 2)
(see Right Column for items included)

Rotary Lift[®]

ROTARY LIFT
A Dover Industries Company
P.O. Box 1560
Madison, Indiana 47250-0560
Phone toll-free: 1-800-445-LIFT (5438)
(412) 373-1622
FAX: (412) 373-6502

For Export
ROTARY LIFT EXPORT
COMPANY
200 Executive Drive, Suite 320
West Orange, NJ 07082
(201) 325-2535
Telex: 4 32-8693
FAX: (201) 325-7574

For Canada:
DOVER CORPORATION CANADA
ROTARY LIFT DIVISION
100 Bridgeland Avenue, Unit 210
Toronto, Ontario, Canada M6A 1Z4
(416) 296-4100
FAX: (416) 296-3824

INDEX 2.2.16 D