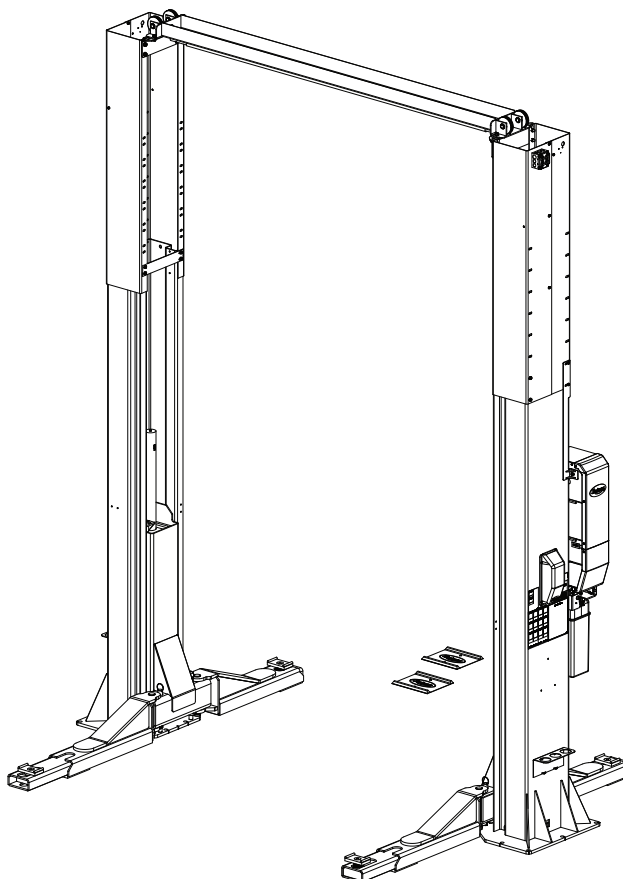




# SP016, SP020

SP016 Capacity 16,000 lbs. (7,258 kg.) / 4,000 lbs. (1,814 kg.) per Arm

SP020 Capacity 20,000 lbs. (9,072 kg.) / 5,000 lbs. (2,268 kg.) per Arm



P  
A  
R  
T  
S  
  
B  
R  
E  
A  
K  
D  
O  
W  
N

**IMPORTANT:** When ordering parts or requesting service always give exact model and power unit serial number. Model number is shown on nameplate attached to power unit column. Power unit serial number is located on side of power unit.

**OWNERS RECORD**  
Complete information at right and keep in a safe place.

Date Installed \_\_\_\_\_

Installed in Bay # \_\_\_\_\_

Power Unit Serial # \_\_\_\_\_

Power Unit Model # \_\_\_\_\_

Lift Serial # \_\_\_\_\_

Lift Model # \_\_\_\_\_

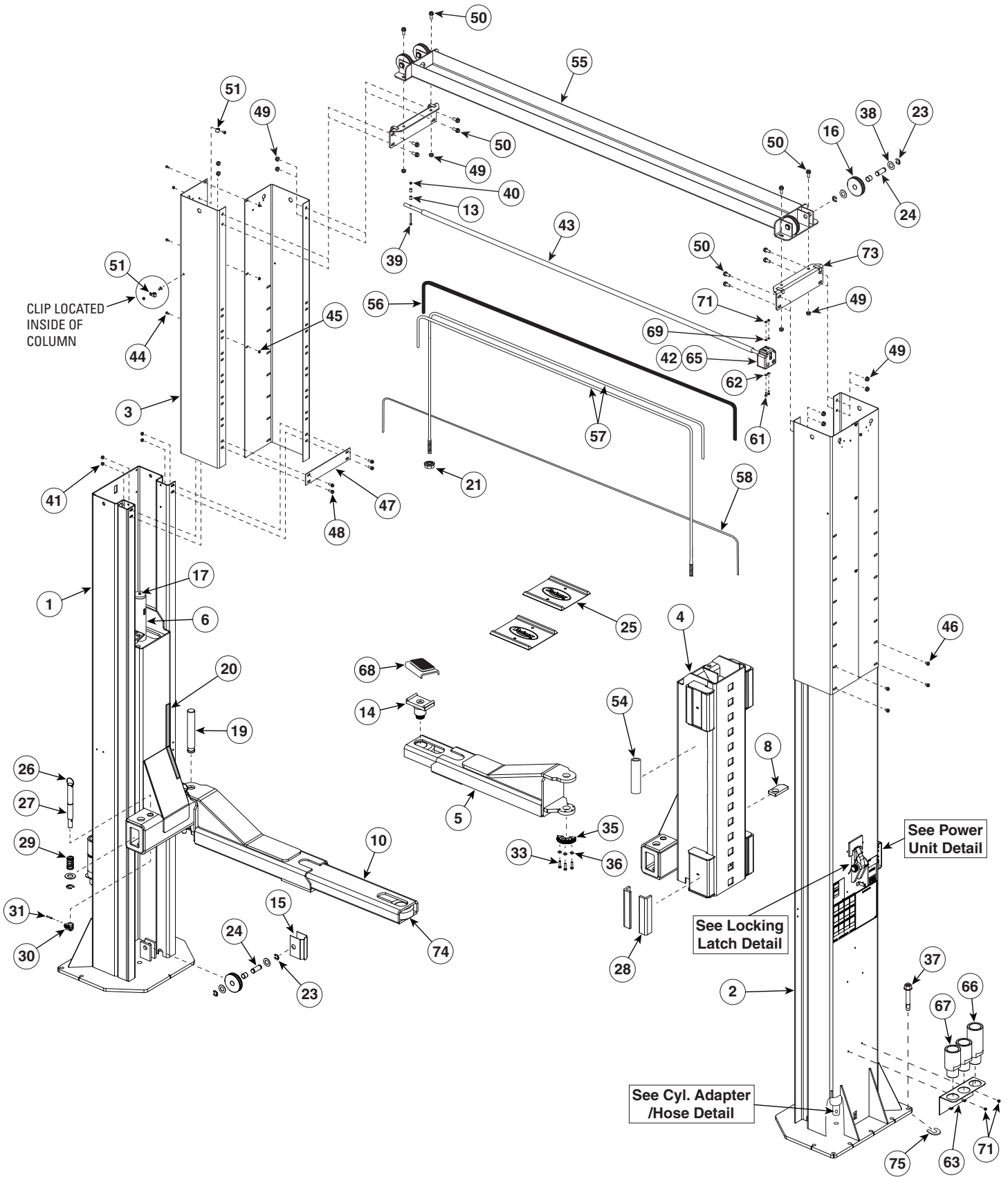
**NOTE:** For replacement parts - See your nearest Rotary Parts Distributor.



## SPO16 & SPO20 PARTS LIST

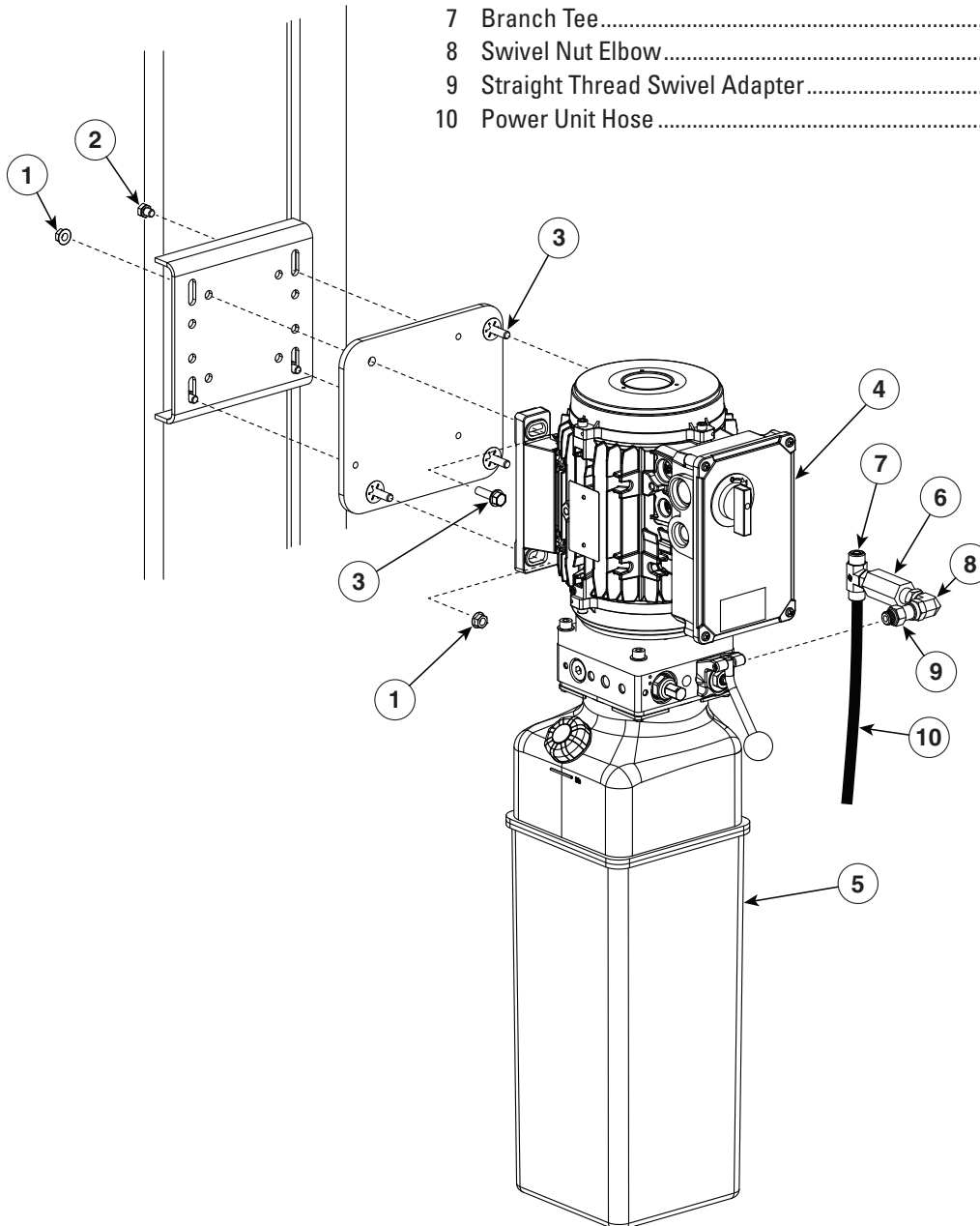
1	L.H. Column Weldment	N774
2	R.H. Column Weldment	N775
3	Column Extension	
	Left Side	N4119-5
	Right Side	N4119-4
4	Carriage Yoke Weldment	
	SPO16	N840
	SPO20	N840
5	Outer Arm	N2417-1
6	Hydraulic Cylinder	N3168
7	Power Unit	
	SPO16 Single Phase 60Hz	P3687
	SPO16 DC	P3688
	SPO20 Single Phase	P3685
	SPO20 DC	P3686
8	SPO16-SPO20 Arm Stop	N2419
9	NA	NA
10	Inner Arm	
	SPO16	N2417-2
	SPO20	N2418-1
11	3/8"-16NC x 1" Lg. Cup Point Set Screw	40141
12	3/8" Internal Tooth Washer	40843
13	3/4" Switch Bar Mounting Spacer	FJ7871
14	Adjustable Adapter	FJ71011
15	Lower Sheave Guard	FJ7813-8
16	Sheave Assembly	FJ7823-3
17	Bleeder Screw (Specify Manufacturer)	N/A
18	5/16-18NC x 3/8" Lg. PHMS	40227
19	Arm Pin	N2414
20	Approach Bumper (Door 18" Lg. 4 Req'd)	FJ7391-3
21	3/4"-10NC Nylon Insert Lock Nut	40790
22	3/16" x 2-1/2" Lg. Cotter Pin	N/A
23	Truarc #5304-100 Klipping For 1" shaft	41412
24	Lower Sheave Shaft	FJ7813-3
25	Wheel Spotting Dish	FF729-1
26	Actuator Pin Handle	FJ7985-1
27	Actuator Pin	N1272
28	Slider	FJ7813-1
29	Actuator Pin Spring	N1132-3
30	Arm Rest. Pawl	N2121
31	Spring Pin 1/4" x 1-1/2" Lg. Stainless	14427
32	3/8"-16NC x 3/4" Lg. HHCS Plated	40130
33	3/8"-16NC x 1-1/2" HHCS Grade 5	40201
34	5/16" USS Flat Washer -Black Oxide	40855
35	Restraint Gear	N2122
36	3/8" Helical Spring Lockwasher	40818
37	3/4" Concrete Anchor	FJ7380
38	UHMWPE Washer	FJ7823-4
39	1/4"-20NC x 2-3/4" HHCS	45070
40	1/4"-20NC Insert Locknut	40642

41	3/8"-16NC Flanged Lock Nut	40664
42	Overhead Switch Assembly	
	1Ø	N413
43	Switch Bar Assembly	N435
44	1/4"-20NC x 5/8" Lg. Flanged HHCS	42000
45	1/4"-20NC Flanged Lock Nut	40643
46	3/8"-16NC x 1/2" Lg. Flanged HHCS	40129
47	Tie Bar	FJ7824
48	3/8"-16NC x 1" Lg. Flanged HHCS	40144
49	1/2"-13NC Flanged Lock Nut	40704
50	1/2"-13NC x 1-1/4" Lg. flanged HHCS	40279
51	Pipe Clip (5/8" Clamping Diameter)	FJ7499
	5/16"-18NC x 5/8" Lg. PHMS	40276
	5/16"-18NC Hex Nut	40670
52	Pipe Clip (5/8" Clamping Diameter)	FJ7499
	5/16"-18NC x 3/8" Lg. PHMS	40227
53	Pipe Clip (1/2" Clamping Diameter)	FJ7669
	5/16"-18NC x 3/8" Lg. PHMS	40227
54	12" Equalizer Cable Spacer	FJ7833
	3" Equalizer Cable Spacer	FJ7833-1
55	Overhead Weldment	N4120-1
56	Overhead Hose	FJ878
57	Equalizer Cable	
	SPO16/SPO20	N3166
	SPO16LC/SPO20LC	N3167
58	Locking Latch Air Line 1/4" O.D.	FA2230-2
59	NA	NA
60	NA	NA
61	1/4"-20NF x 3/4" Lg. HHCS, Grade 5 Plated	40119
62	1/4" SAE Flat Washer	40783
63	Adapter Rack (1 Qty. Each Column Standard Arm)	FJ7822-3
64	3/8" External Tooth Lockwasher	40845
65	Limit Switch Assembly	
	1Ø	N413-1
66	10" Height Adapters (2 Qty. Per Lift Standard Arms)	FJ71014
67	5" Height Adapters (4 Qty. Per Lift Standard Arms)	FJ71013
68	Rubber Pad Adapters (4 Qty. Per Lift)	FJ7822-2
69	1/4" External Tooth Lockwasher	40779
70	1-1/4" SAE flat washer	41101
71	1/4"-20NC Hex Nut	40625
72	NA	NA
73	Overhead Attachment Bracket	N4120-41
74	Round Adapter Sled	
	SPO16	FJ71015
	SPO20	FJ71016
75	Horse Shoe Shim	FJ716-6
76	1/4" Flat Washer	40795

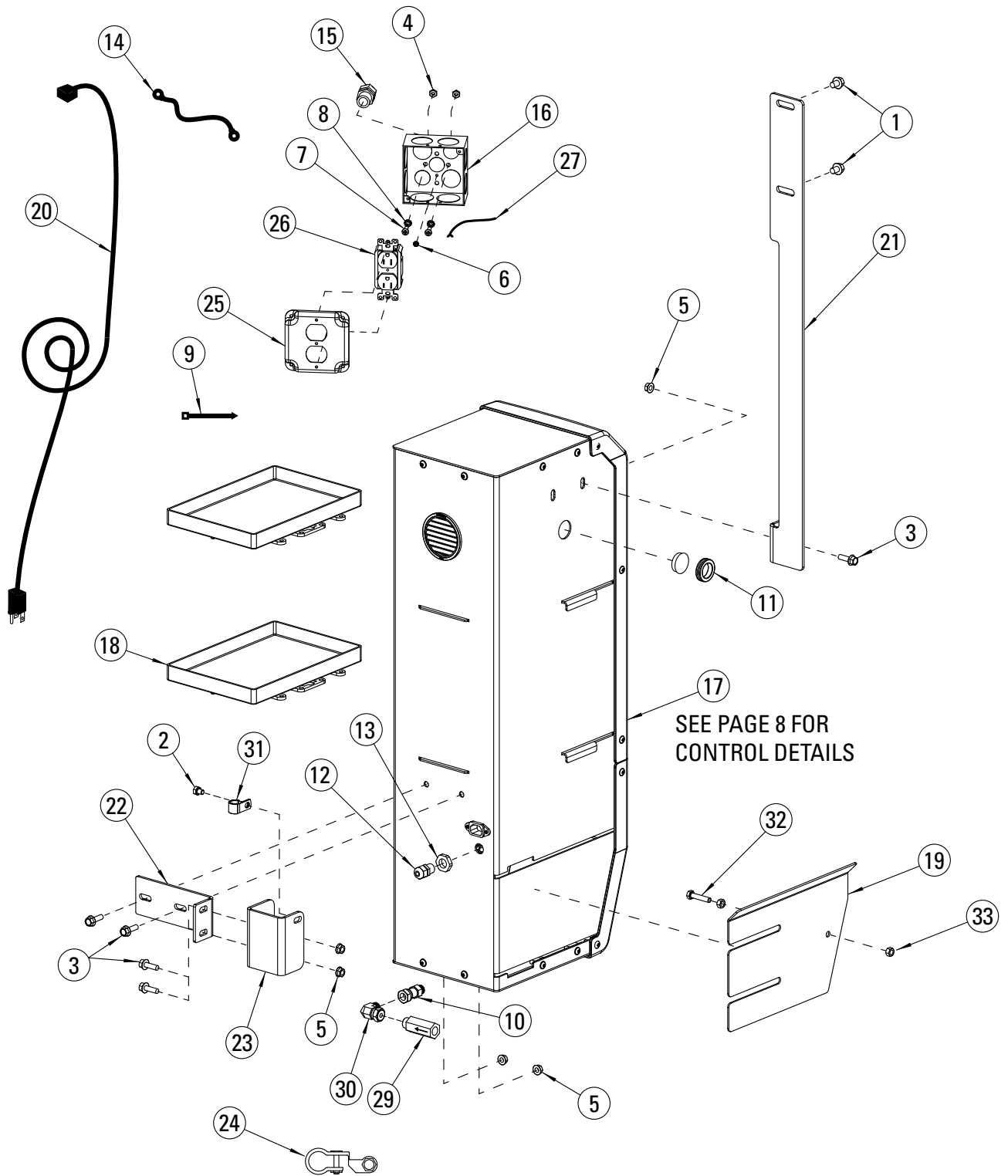


## POWER UNIT DETAIL

ITEM#	DESCRIPTION	PART#
1	5/16"-18NC Hex Flanged Lock Nut.....	40678
2	5/16"-18NC x 1/2" Lg. HHCS.....	40294
3	5/16"-18NC x 1-1/2" Flanged HHCS.....	40509
4	Capacitor Box.....	FA7147-1
	Capacitor Box Cover Plate.....	FA7366-1
	Drum Switch.....	FA7364
	Drum Switch Lever.....	FA7364-1
	M5 x 45 PHMS, Plated.....	41672
5	Power Unit	
	SPO16 Single Phase 60Hz.....	P3687
	SPO16 DC.....	P3688
	SPO20 Single Phase.....	P3685
	SPO20 DC.....	P3686
6	Flow Control.....	FJ71012
7	Branch Tee.....	FJ879
8	Swivel Nut Elbow.....	FJ71007
9	Straight Thread Swivel Adapter.....	EFX60010319
10	Power Unit Hose.....	FJ877

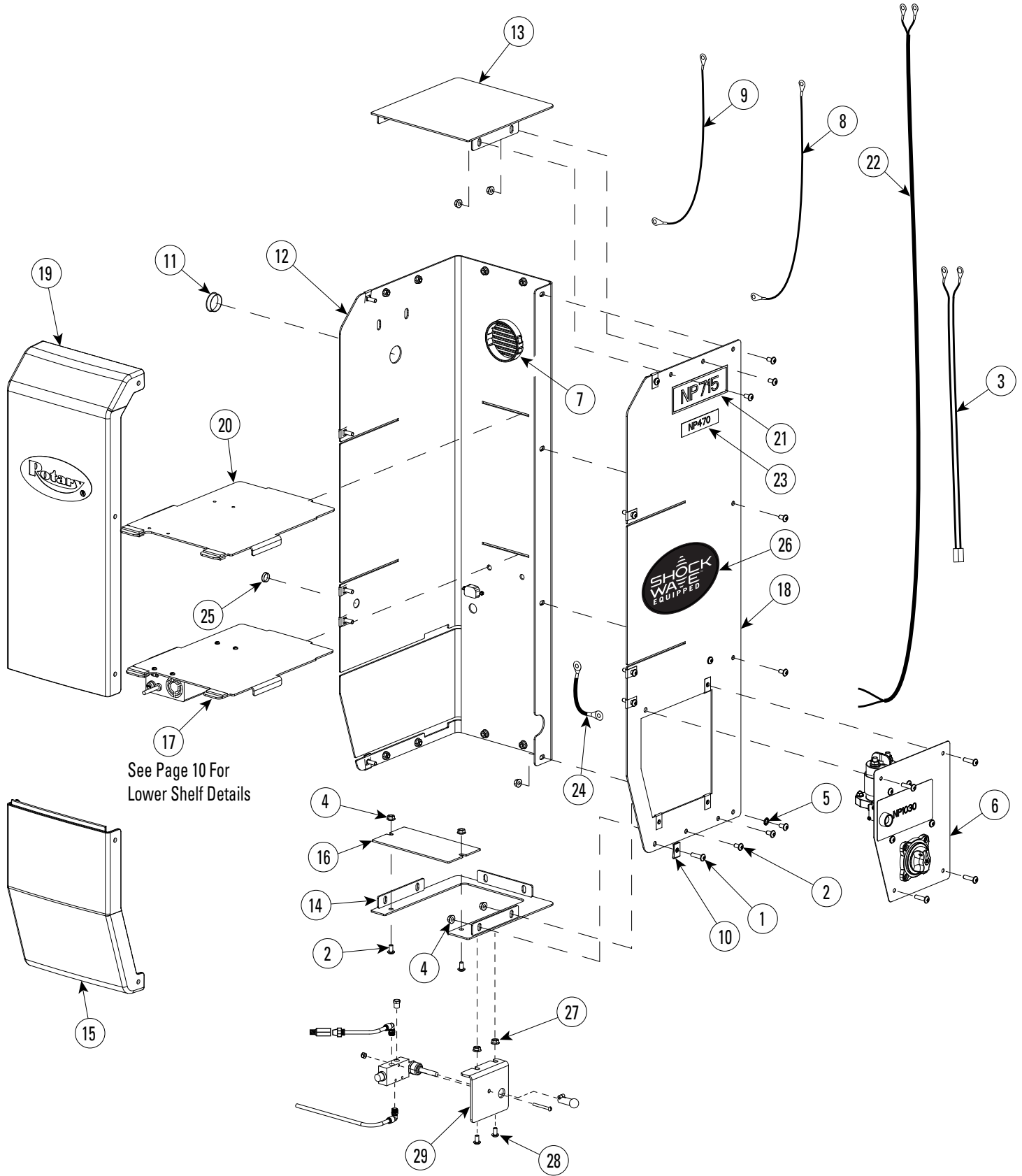


# DC CONTROL MOUNTING DETAIL



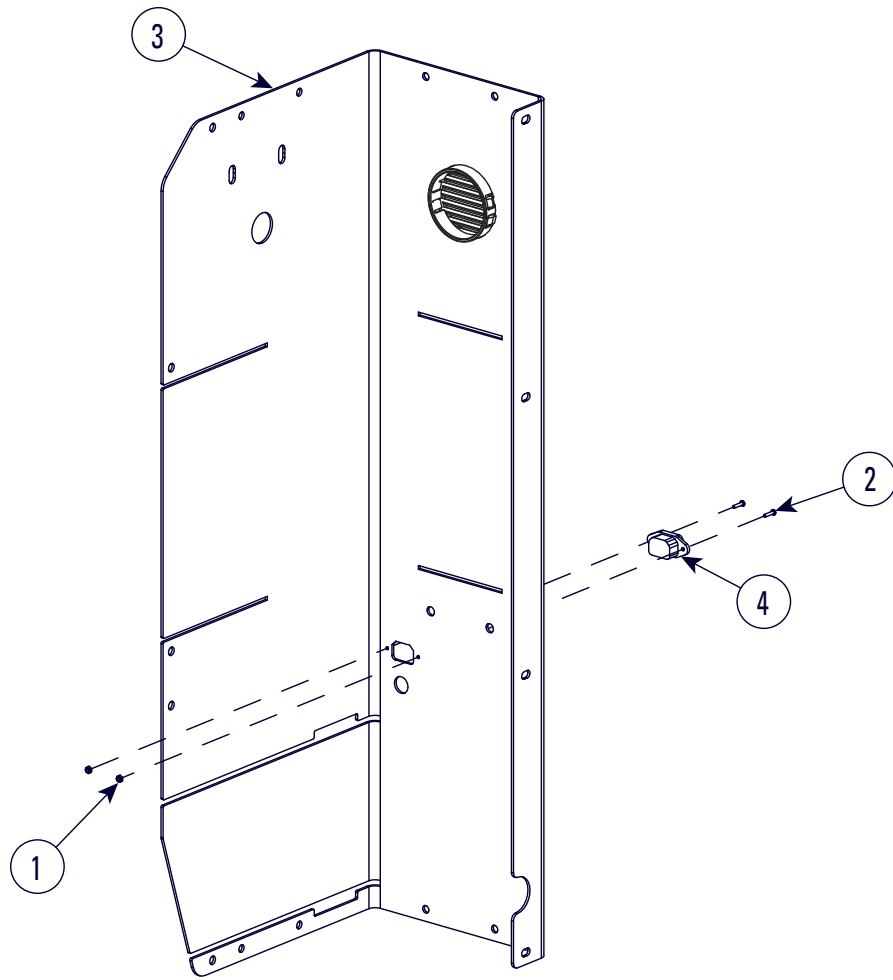
ITEM	PART NO.	DESCRIPTION
1	40129	3/8"-16NC x 1/2" Lg. FLGD WZLOCK, PLTD
2	40294	5/16"-18NC x 1/2" Lg. FLGD WZLOCK, PLTD
3	40400	5/16"-18NC x 1" Lg. FLGD WZLOCK, PLTD
4	40650	#12-24NC HEX NUT, PLTD
5	40678	5/16"-18NC HEX FLGD WZLOCK NUT, PLTD
6	FA997-1	#10-32 x 1/4" Lg. HEX WHSFTS, PLTD, COLORED GREEN
7	41526	#12-24NC x 3/4" Lg. PHIL. PHMS, PLTD
8	41527	#12 EXT TOOTH LW, PLTD
9	629888	TY-RAP CABLE TIE, NYLON, BLACK, 11 1
10	EFX60010319	ADAPTER, STRAIGHT THREAD/ SWIVEL (ORB/ORFS 6X6)
11	FA7180-31	WIRE GROMMET
12	FA7189-14	3/8" NPT STRAIN RELIEF
13	FA7189-15	3/8" NPT LOCKNUT
14	FA7616	BATTERY-BATTERY CABLE
15	FA7958-28	CORD GRIP
16	FA997	JUNCTION BOX
17	FA9204	DC CONTROL ASSEMBLY
18	FA966-16	BATTERY TRAY
19	FA966-47	BATTERY CABINET 2-POST SPLASH SHIELD
20	FA966-65	13FT UNIVERSAL POWER CORD
21	FA9204-20	BATTERY CABINET UPPER MOUNTING BRKT WELD
22	FA966-56	BATTERY CABINET MOUNTING BRKT WELD
23	FA9204-25	BATTERY CABINET MOUNTING COLUMN BRKT WELD
24	FA9218	BATTERY TERMINAL END
25	FA980-4	DUPLEX RECEPTACLE COVER 4" SQUARE BOX
26	FA980-2	DUPLEX FEMALE RECEPTACLE
27	FA980-3	GROUND WIRE
28	NA	NA
29	FJ71012	FLOW REGULATOR
30	FJ71007	MALE ORFS x FEMALE ORFS SWIVEL ELBOW
31	FJ7499	COLUMN HOSE CLIP
32	40271	5/16"-18NC x 1-1/2" HHCS FULL THREAD
33	40670	5/16"-18NC HEX NUT

# DC CONTROL DETAIL

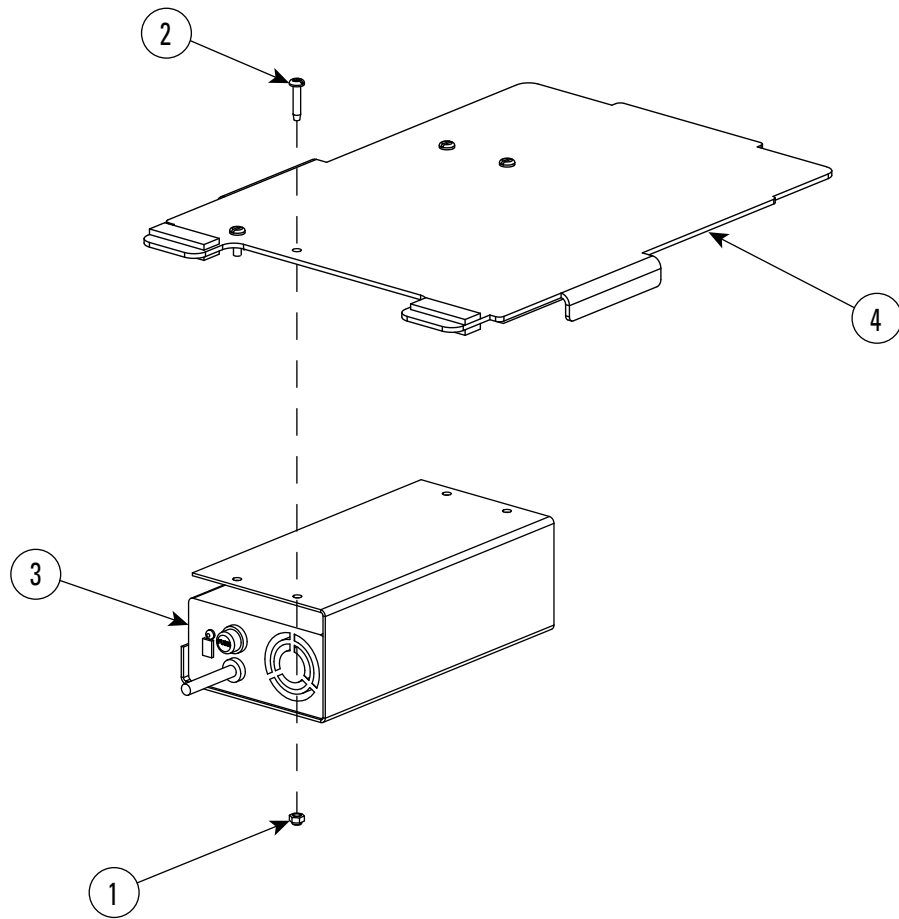


DC CONTROL DETAIL		
ITEM	PART NO.	DESCRIPTION
1	40077	1/4"-20NC x 1" Lg FLGD HEX SOC BHCS, GRD2
2	40094	1/4"-20NC x 1/2" Lg FLGD HEX SOC BHCS
3	FA9190-12	CHARGER WIRE HARNESS
4	40641	1/4"-20NC HEX FLGD WZLOCK NUT, PLTD
5	40779	1/4" EXT TOOTH LW
6	FA9190	SHOCKWAVE ELECTRICAL ASSEMBLY
7	FA5309	LOUVERED HOLD PLUG
8	FA9190-9	BATTERY TO DISCONNECT SWITCH CABLE
9	FA9190-10	BATTERY TO MOTOR CABLE
10	FA966-22	CLIP-ON NUT
11	FA966-34	1-1/4" HOLE PLUG
12	FA966-37	BATTERY CABINET LH FRAME ASSEMBLY
13	FA966-39	BATTERY CABINET TOP COVER WELDMENT
14	FA9204-10	BATTERY CABINET BOTTOM COVER WELDMENT
15	FA966-45	BATTERY CABINET FRONT BOTTOM COVER
16	FA966-46	BATTERY CABINET SMALL BOTTOM COVER
17	FA966-68	BATTERY CABINET LOWER SHELF ASSEMBLY
18	FA9190-14	BATTERY CABINET RH FRAME ASSEMBLY
19	FA966-50	BATTERY CABINET FRONT TOP COVER ASSY
20	FA966-69	BATTERY CABINET SHELF WELD
21	NP715	NAMEPLATE
22	FA9190-6	OVERHEAD SWITCH HARNESS
23	NP470	NAMEPLATE
24	FA9190-5	BATTERY GROUNDING CABLE
25	FA966-60	TRANSPARENT HOLE PLUG
26	NP1067	NAMEPLATE
27	40641	1/4"-20NC HEX FLGD WZLOCK NUT, PLT
28	40094	1/4"-20NC x 1/2" LG. HEX SOC BHCS
29	N630	DC AIR VALVE BRACKET





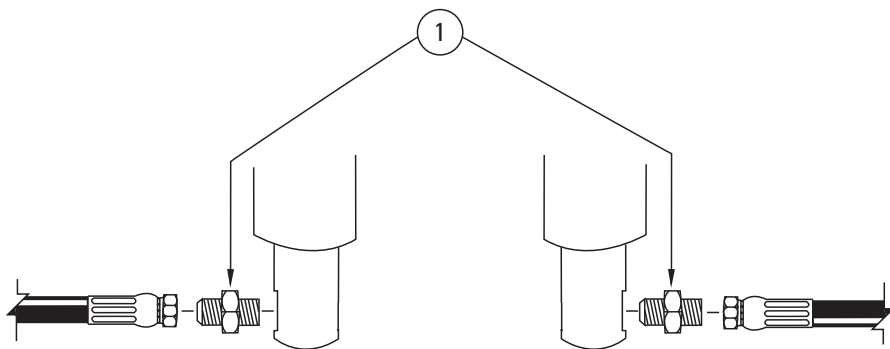
LEFT HAND FRAME ASSEMBLY		
ITEM	PART NO.	DESCRIPTION
1	41628	#4-40 NYLON INSERT LOCKNUT MMC #90633A005
2	796443	#4-40 x 1/2 Lg. PHMS, PLTD
3	FA966-52	BATTERY CABINET LH FRAME FORMING
4	M130115	CHARGER INTERNAL POWER CORD



LOWER SHELF ASSEMBLY		
ITEM	PART NO.	DESCRIPTION
1	450957	#8-32NC NYLON LOCK NUT
2	40022	#8-32NC x 1/2" Lg. PHMS
3	FA966-71	24V 8A CHARGER ASSEMBLY
4	FA966-69	BATTERY CABINET SHELF WELD

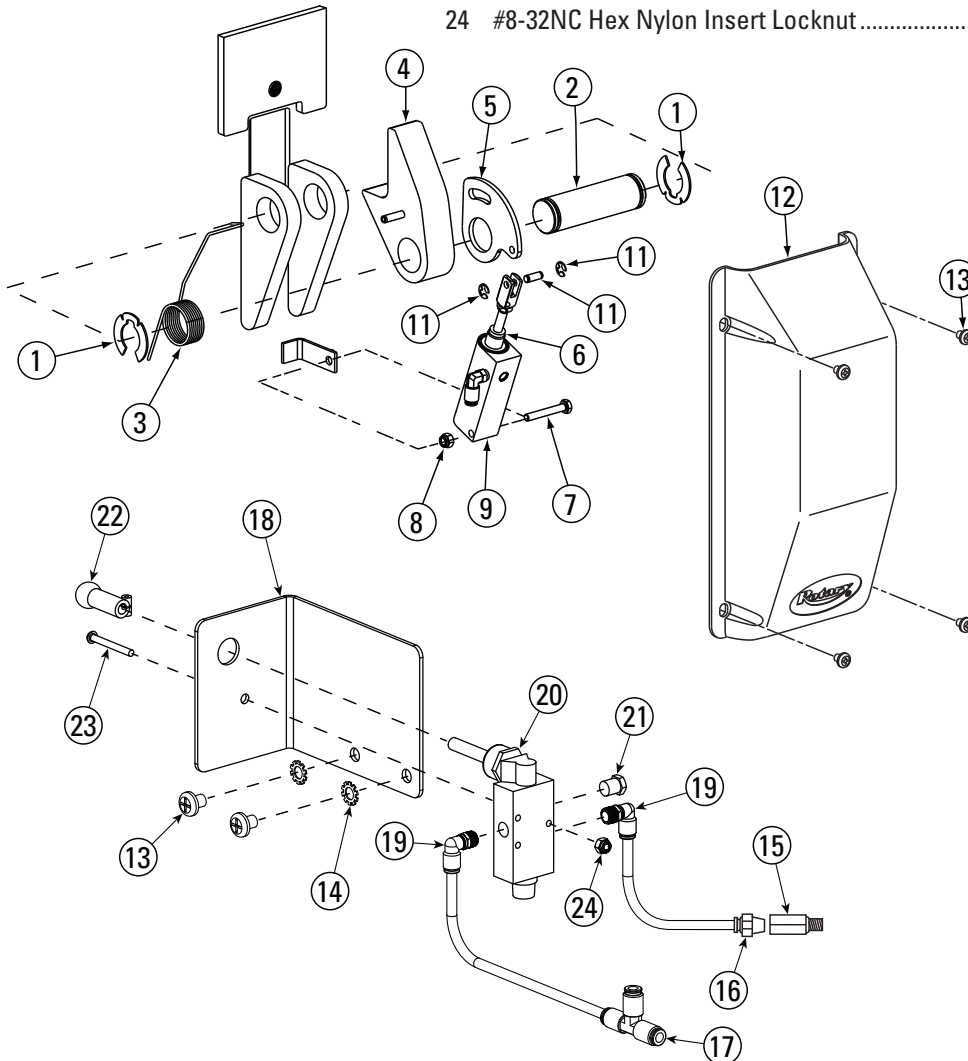
### CYLINDER ADAPTER/HOSE DETAIL

ITEM#	DESCRIPTION	PART#
1	Straight Adapter .....	FJ876



## LOCKING LATCH DETAIL

ITEM#	DESCRIPTION	PART#
1	Truarc Klipping #5304-125 for 1 1/4" Shaft.....	41417
2	Latch Shaft.....	FJ7813-7
3	Latch Spring.....	FJ7813-5
4	Locking Latch Dog Assy.....	FJ7813-14
5	Latch Control Plate.....	FJ7813-6
6	Dampening Spacer.....	FJ7813-13
7	1/4"-20NC x 1-1/4" HHCS.....	40101
8	1/4"-20 Nylon Insert Nut.....	40642
9	Air Cylinder.....	N614
10	Swivel elbow 1/4"O.D. tube to 1/8" NPT.....	FA3134-6
11	Bimba Piston Rod Clevis #D-166-1 (set).....	11263
12	Latch Cover.....	FJ7451
13	5/16"-18NC x 3/8" PHMS.....	40227
14	5/16" External Lockwasher.....	40854
15	Filter.....	FA3134-12
16	1/4" Male Connector.....	FC5191-6
17	Union Tee.....	FC5225-46
18	Air Valve Bracket.....	N631-1
19	1/4" x 1/8" Elbow.....	T140074-1
20	Air Lock Valve.....	T140073
21	Brass Filter.....	T140075
22	Air Lock Valve Handle.....	T140119
23	#8-32NC x 1-1/2" Slotted RHMS.....	40007
24	#8-32NC Hex Nylon Insert Locknut.....	40649



**Rotary World Headquarters**

2700 Lanier Drive  
Madison, IN 47250, USA  
[www.rotarylif.com](http://www.rotarylif.com)

**North America Contact Information**

Tech. Support:  
p 800.445.5438  
f 800.578.5438  
e [userlink@rotarylif.com](mailto:userlink@rotarylif.com)  
Sales:  
p 800.640.5438  
f 800.578.5438  
e [userlink@rotarylif.com](mailto:userlink@rotarylif.com)

**World Wide Contact Information**

World Headquarters/USA: 1.812.273.1622  
Canada: 1.905.812.9920  
European Headquarters/Germany: +49.771.9233.0  
United Kingdom: +44.178.747.7711  
Australasia: +60.3.7660.0285  
Latin America / Caribbean: +54.3488.431.608  
Middle East / Northern Africa: +49.771.9233.0

**© Vehicle Service Group<sup>SM</sup>**

Printed in U.S.A., All Rights Reserved. Unless otherwise indicated, ROTARY, and all other trademarks are property of Dover Corporation and its affiliates.

