

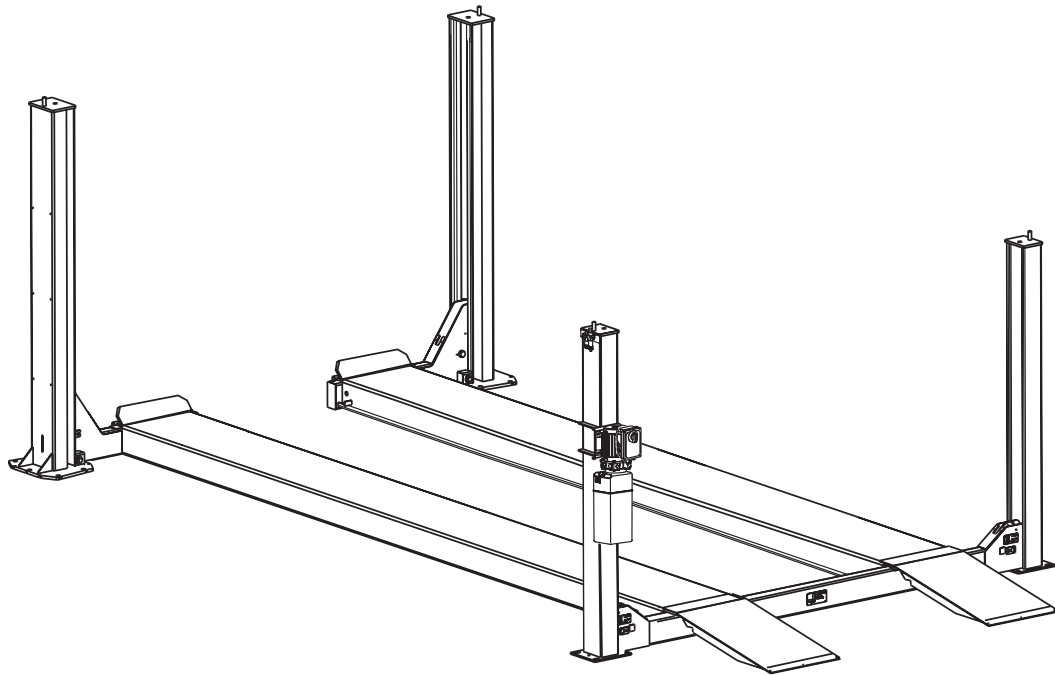


# ARO123/SMO123

Four Post Surface Mounted Lift

Capacity 12,000 lbs. (6,000 lbs. per axle)

Maximum Wheelbases of 206-1/2", 182-1/2" & 158-1/2"



P  
A  
R  
T  
S  
  
B  
R  
E  
A  
K  
D  
O  
W  
N

**IMPORTANT:** When ordering parts or requesting service always give exact model and power unit serial number. Model number is shown on nameplate attached to air lock release valve. Power unit serial number is located on side of power unit.

**OWNERS RECORD**  
Complete information  
at right and keep in  
a safe place.

Date Installed \_\_\_\_\_

Installed in Bay # \_\_\_\_\_

Power Unit Serial # \_\_\_\_\_

Power Unit Model # \_\_\_\_\_

Lift Serial # \_\_\_\_\_

Lift Model # \_\_\_\_\_

**NOTE:** For replacement parts -See your nearest Rotary Parts Distributor.

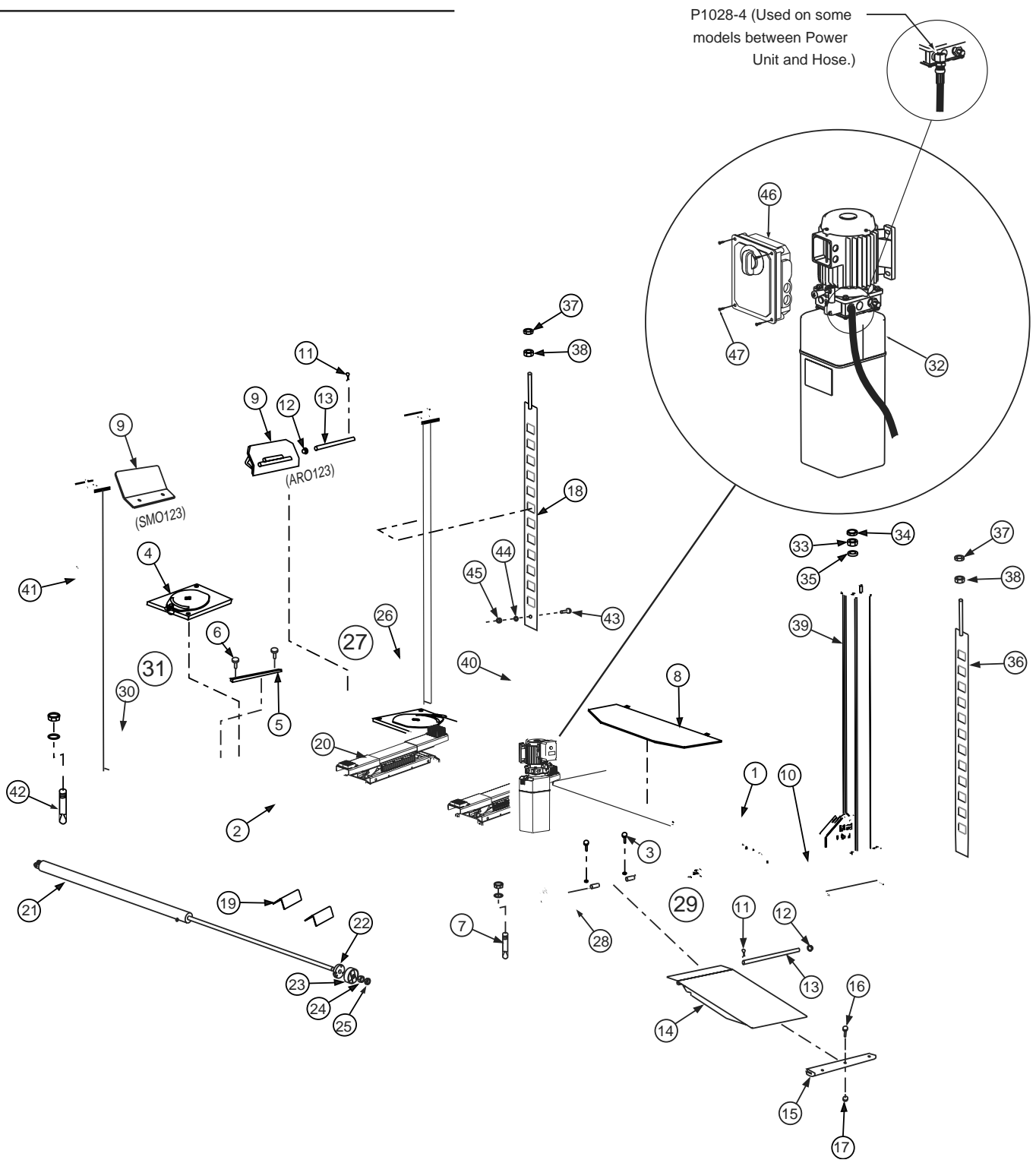
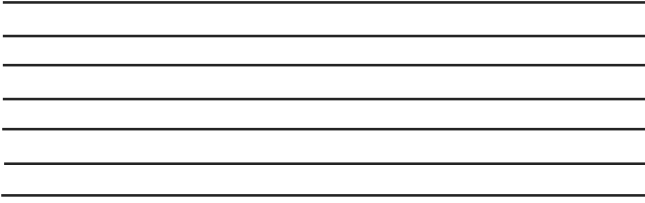
**LP30069**

**PB2-3-3-6**

Rev. H 01/10/2005

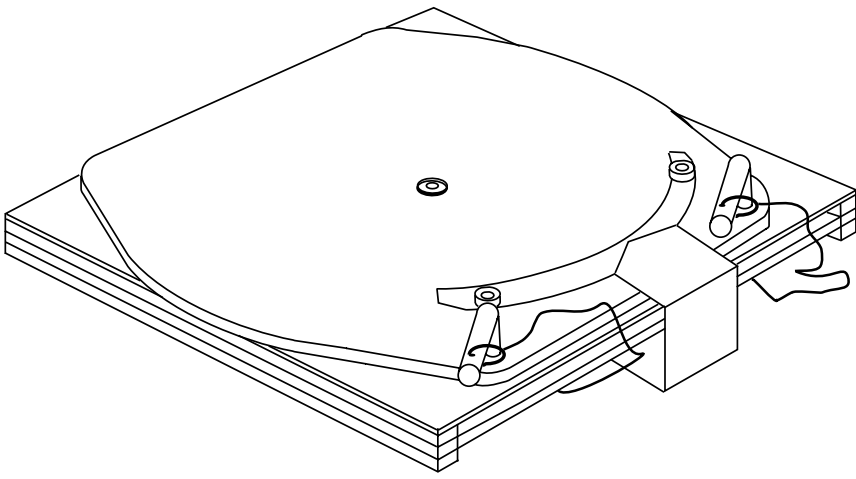
RUNWAYS

LIFT MODEL



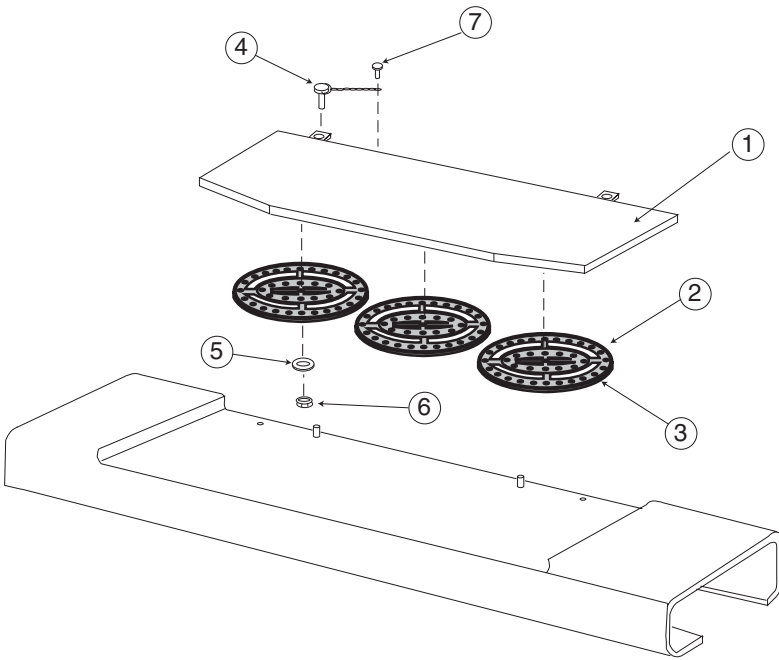
**SMO / ARO123 PARTS**

ITEM NO.	DESCRIPTION	PART NO.	
1	R.H. Runway Assembly	<b>Refer to Table on Opposite Page</b>	
2	L.H. Runway Assembly (Includes cylinder, cables and sheaves)		
3	1/2" — 13NC x 1 1/4" Flg. Whiz-Lock HHCS (High Strength)	40279	
4	Turning Radius Gauge Ass'y.--Stainless Steel	FA5153	
5	Turntable Guide Bar--Stainless Steel	FA5153-1	
6	5/16"-18NC x 5/8" Whiz-Lock	42073	
7	5/8" Anchor Bolt	FC5228	
8	Rear Slip Plate Kit * * For Slip Plate Parts, See Slip Plate Parts Breakdown - Later In Booklet	FC5249	
9	Wheel Stop (ARO)	FC134-13	
	Wheel Stop (SMO)	FC342	
10	Ramp Chock Assembly (Standard)	S110016	
	Ramp Chock Assembly (Extended)	S110064	
11	5/32" x 1" Lg. Cotter Pin	41202	
12	5/8" Push Nut Fastener — TRW #PW625019 Or Equal	FC5179-4	
13	Hinge Pin	FC134-99	
14	Ramp Chock Weld (Standard)	S120072	
	Ramp Chock Weld (Extended)	S120164	
15	Ramp Chock Slide	FC134-33	
16	#10-24NC x 3/4" SLTRUSSHMS	40050	
17	#10-24NC Flg. Whiz-Lock Nut	40633	
18	Front Latch Bar	S120030	
19	Triangular Wheel Chock	FC320	
20	Rolling Jack	SB300001	
21	Hydraulic Cylinder	S130002	
22	Cable Pull Bar	S120075	
23	Cable Retainer	S120068	
24	1 3/8"-6NC Hex Nut	40771	
25	1 3/8"-6NC Hex Jam Nut	40773	NARROW BAY
26	Right Front Yoke Weldment	S120091	S120138
27	Right Front Yoke Ass'y (Including Latches)	S110048	S110051
28	Rear Yoke Weldment	S120095	S120161
29	Rear Yoke Ass'y (Including Latches)	S110023	S110063
30	Left Front Yoke Weldment	S120089	S120137
31	Left Front Yoke Assembly (Including Latches)	S110047	S110050
32	1Ø Power Unit	P1350	
	3Ø Power Unit	P1047	
	575V Power Unit	P1159	
33	7/8"-9NC Hex Nut	40765	
34	7/8"-9NC Hex Jam Nut	40766	
35	7/8" Flat Washer	41073	
36	Rear Latch Bar	S120028	
37	3/4"-10NC Hex Jam Nut	40759	
38	3/4"-10NC Hex Nut	40760	
39	Rear Column	S110049	
40	Power Unit Column	S120033	
41	Front Column	S120570	
42	3/4" x 5-1/2" Anchor Bolt	FJ7380	
43	1/4"-20NCx1 1/4" HHCS	40115	
44	1/4" USS Flat Washer Plated	40782	
45	Nut	40642	
46	Control Box	FA7203	
	Capacitor Box	FA7147-1	
	Capacitor Box Cover Plate	FA7203-1	
	Drum Switch	FA7205	
	Drum Switch Handle	FA7205-1	
47	M5 x 10 PHMS, Plated	40275	

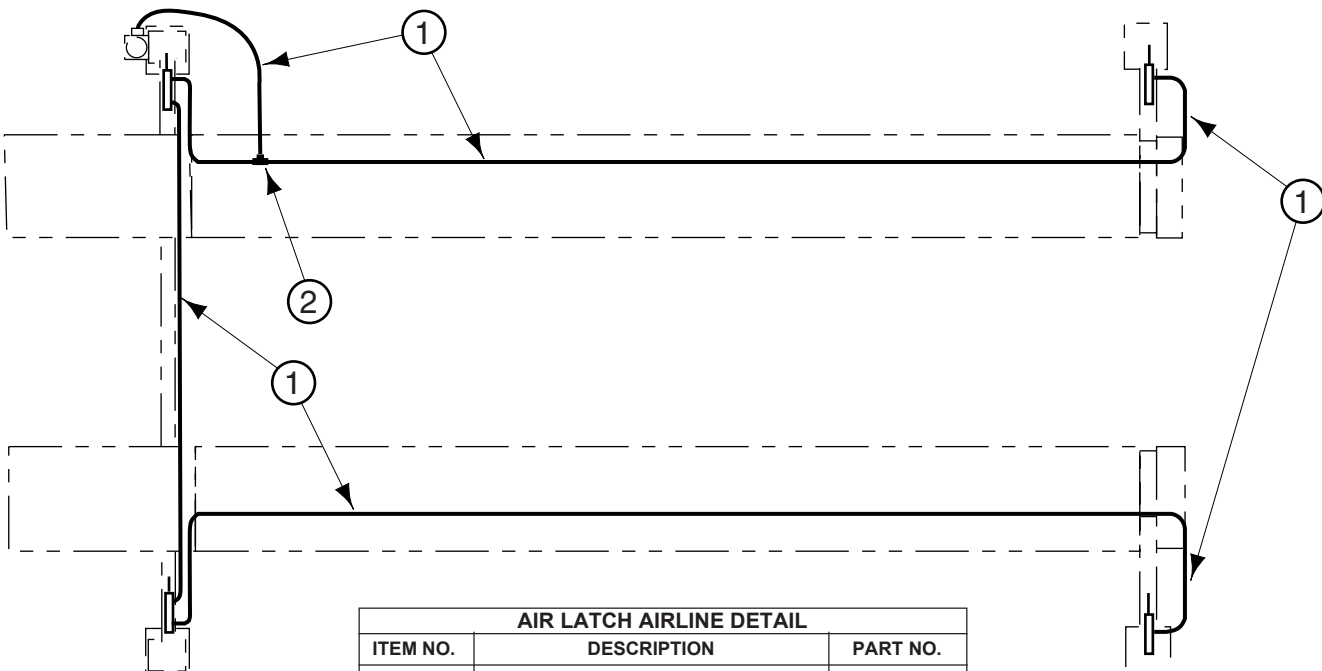


Radius Gauge Rebuild Kits	
Stainless Steel:	FA5153-2
Carbon Steel	FA5157-1

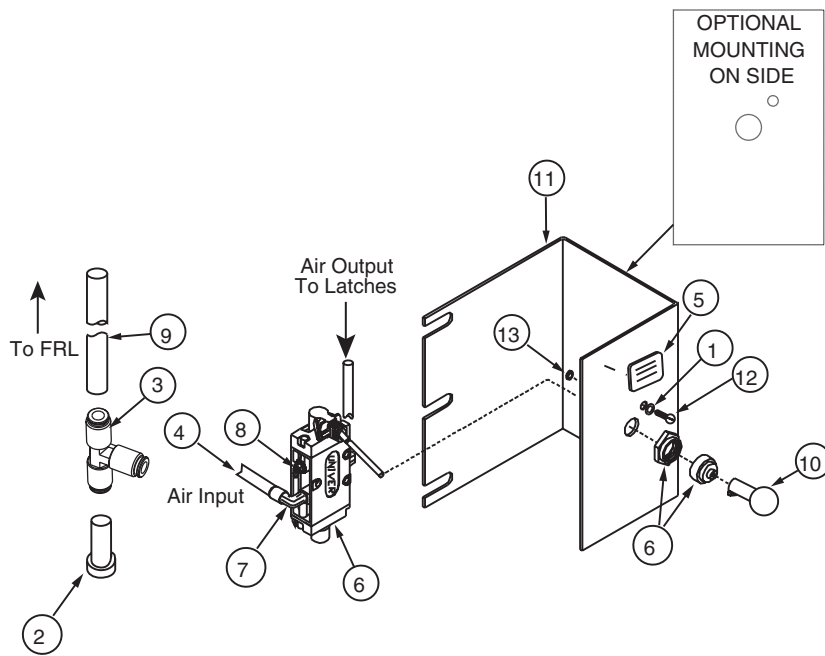
Kits include:	
Delrin Balls	54
Zinc Internal Lock Washers	2
Carbon Springs	8
Bearing Retainers	2
Top Taper Screws	2
Bottom Set Screws	2



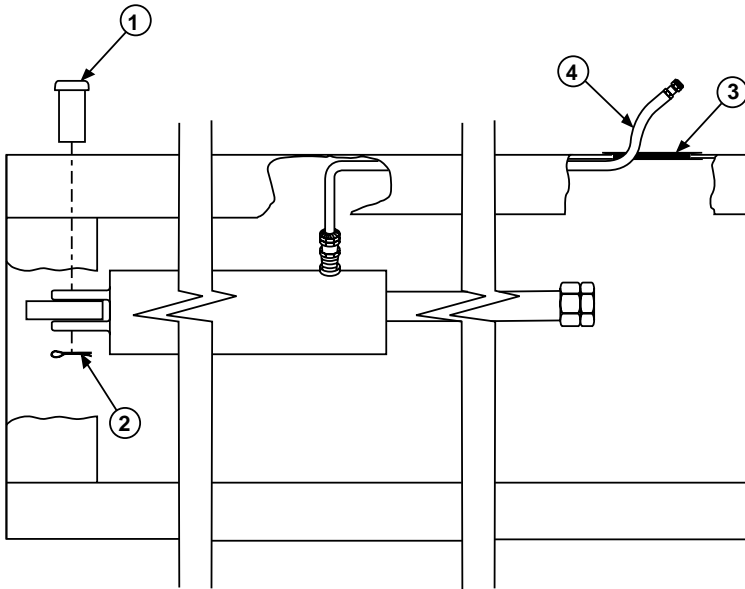
4 WS SLIP PLATE PARTS		
ITEM NO.	DESCRIPTION	PART NO.
1	Slip Plate Weldment	FC5190-16
2	Ball Retainer Assembly	FC5190-31
3	Ball	FC5190-7
4	Lock Pin Assembly	FC5283
5	7/16" SAE Washer	41073
6	3/8"-16NC Nylon Insert Jam Nut	40658
7	1/4"-20NC PNHDMS CD PLT x 3/8" Lg.	40067
Slip Plate Rebuild Kit Includes: (3) Ball Retainer Assembly FC5190-31 (108) Balls, FC5190-7 (3) 7/16" SAE Washer (3) 3/8"-16 Nylon Inset Jam Nut		FC5190-30



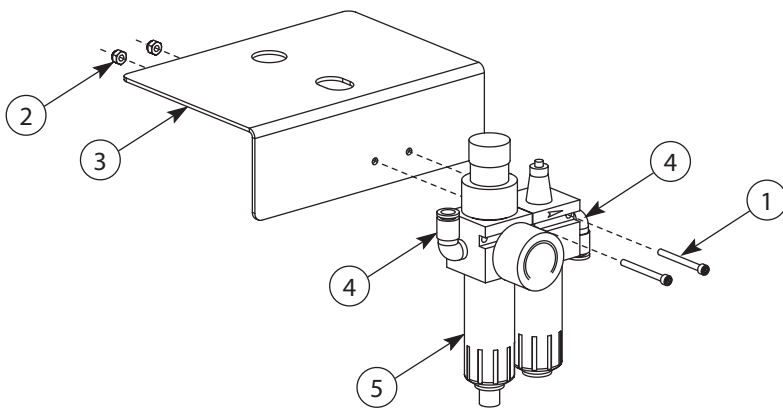
AIR LATCH AIRLINE DETAIL		
ITEM NO.	DESCRIPTION	PART NO.
1	1/4" Airline Tubing (50' roll)	FA2230-2
2	Union Tee	FC5225-46



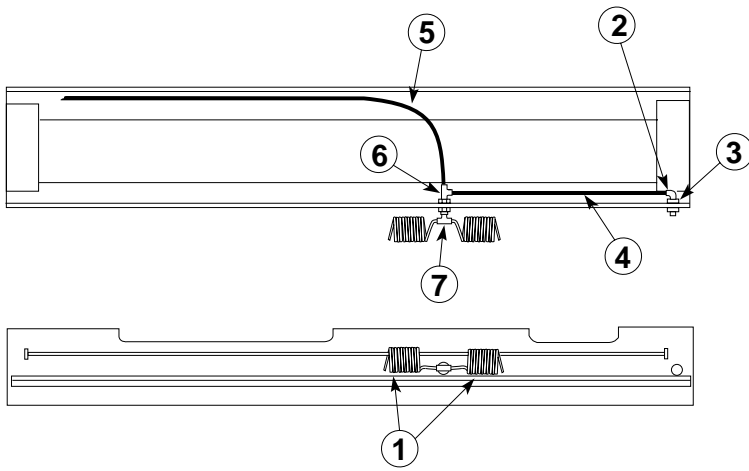
AIR LOCK RELEASE VALVE DETAIL		
ITEM NO.	DESCRIPTION	PART NO.
1	#8 SAE Flat Washer	40788
2	3/8" Plug	FA2230-16
3	Union Tee	FA2242-1
4	1/4" Tubing	FC2230-2
5	Nameplate	NP280
6	Control Ass'y.	T140073
7	Swivel Elbow	T140074
8	Filter / Muffler	T140075
9	3/8" tubing (40ft roll)	FA2230-15
10	Air Lock Handle	T140119
11	Control Bracket	FA3217
12	#8-32NC x 1-1/2" PHMS	40007
13	#8-32NC Nylon Locknut	40649



HYDRAULIC HOSE DETAIL			
ITEM NO.	DESCRIPTION		
1	Clevis Pin	FC5346-1	
2	3/16" x 1-1/4" Lg. Cotter Pin	41247	
3	Grommet	2 1/2" Hole	S130015
		1 1/2" Hole	S130063
4	Hose	S130012	

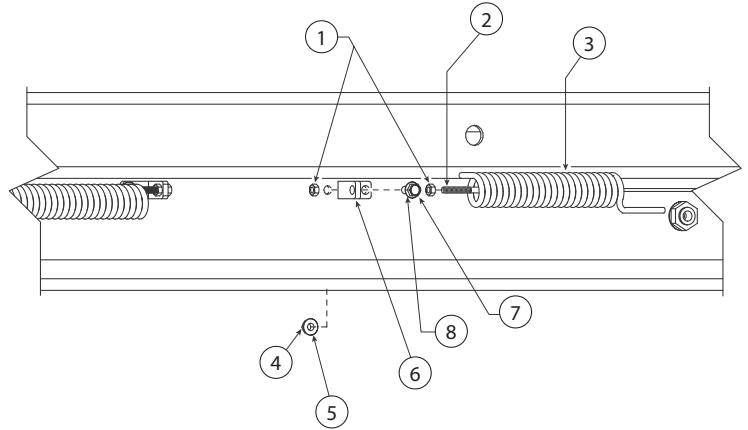


FRL DETAIL		
ITEM NO.	DESCRIPTION	PART NO.
1	#8-32 x 1-3/4" Hex SHCS	40432
2	#8-32 Nylon Lock Nut	40649
3	Adapter Bracket	S120569
4	Elbow	FC147-7
5	Filter/Regulator/Lubricator	S130065

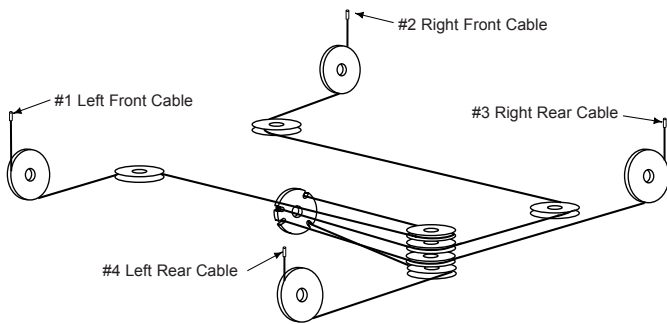


INTERNAL AIRLINE PARTS		
ITEM NO.	DESCRIPTION	PART NO.
1	Recoil Hose	FC147-14
2	Male Elbow	FC147-7
3	Female Bulkhead	FC147-1
4	Runway Tubing	FC147-6
5	Tubing	FC5313-2
6	Male Run Tee	FC147-3
7	Male Branch Tee	FC147-5

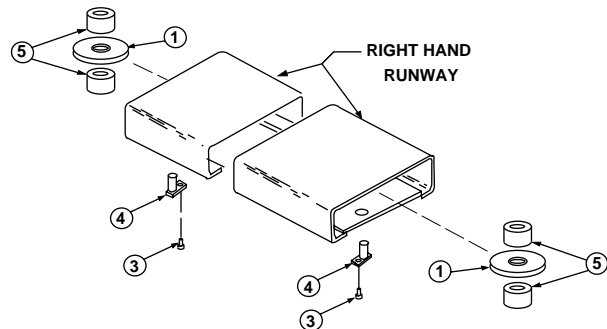
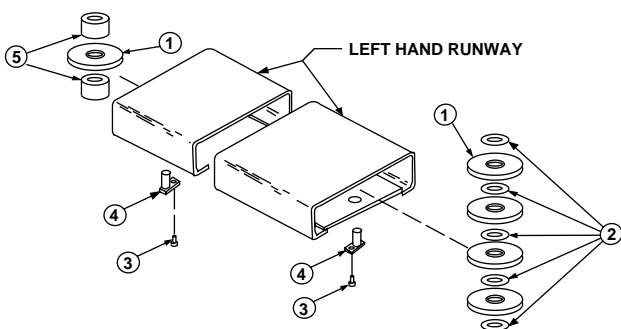
Retainer Cable Detail		
ITEM NO.	DESCRIPTION	PART NO.
1	1/4" x 20NC Hex Nut	40625
2	Airline Retainer Cable (182"/206")	S130078
	Airline Retainer Cable (158")	XS130063
3	Recoil Hose	-
4	3/8" Nut	40660
5	3/8" Lockwasher	40845
6	Retainer Bracket	FC147-9
7	3/8"-16NC x 3/4" Lg. HHCS	40130
8	3/8" Flat Washer	40820

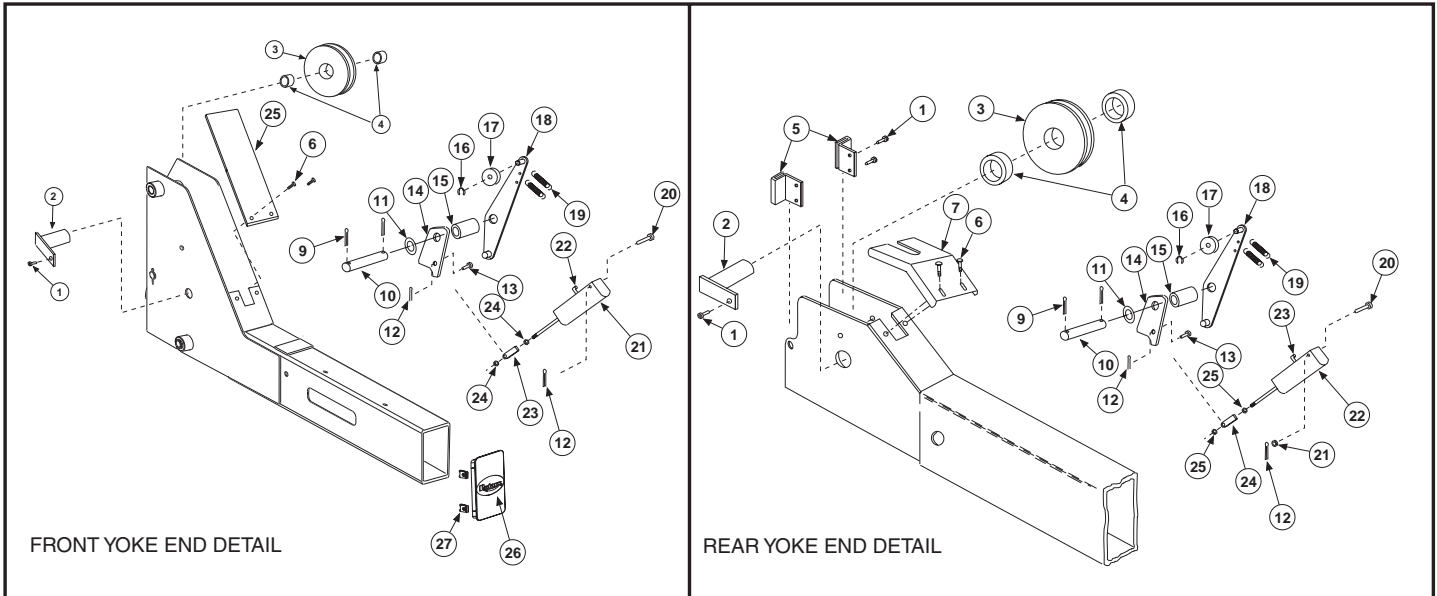


CABLES						
ITEM NO.	DESCRIPTION	PART NO.				
		SMO123/ARO123			NARROW BAY	NARROW BAY
		158 1/2" WB	182 1/2" WB	206 1/2" WB	158 1/2" WB	182" WB
1	Left Front Cable	S130030	S130028	S130022	S130034	S130133
2	Right Front Cable	S130031	S130029	S130023	S130035	S130134
3	Right Rear Cable	S130019	S130019	S130019	S130039	S130039
4	Left Rear Cable	S130018	S130018	S130018	S130038	S130038



SHEAVE DETAIL		
ITEM NO.	DESCRIPTION	PART NO.
1	Sheave	FC5804-2
2	Bearing	FC5843-3
3	5/16"-18NC x 1/2" Lg. HHCS	40401
4	Sheave Pin (Standard)	FC555-1
	Sheave Pin (Chrome)	FC5728-7
5	Sheave Spacer	S130161

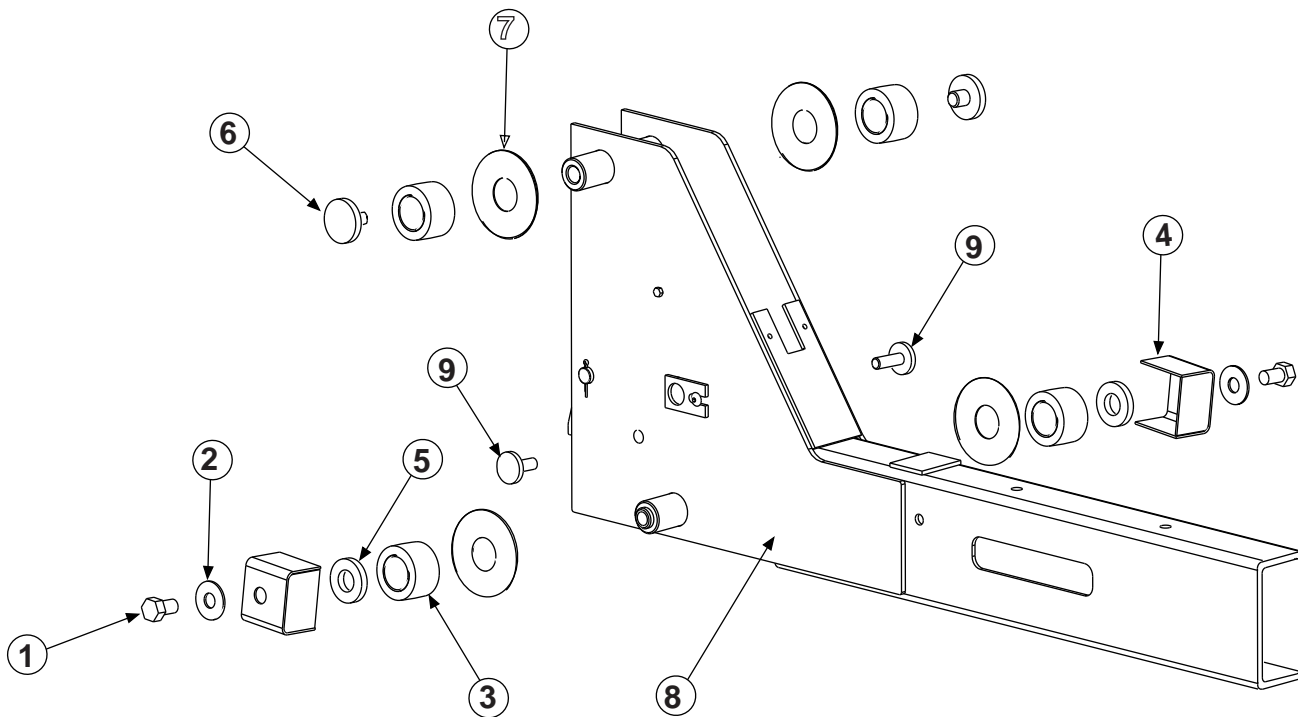




FRONT YOKE END DETAIL

REAR YOKE END DETAIL

FRONT YOKE END DETAIL					
ITEM	DESCRIPTION	PART NO.	ITEM	DESCRIPTION	PART NO.
1	5/16"-18NC x 3/4" Lg. HHCS	40252	15	Spacer	FC5706-9
2	Sheave Pin	standard	16	3/8" Snap Ring TRUARC #5304-37	41410
		chrome plated	17	Slack Cable Roller	FC553-21
3	Sheave	FC5804-2	18	Kicker	S120103
4	Plastic Spacer	FC5927-10	19	Extension Spring	FC522-25
5	Slider	FC5706-16	20	Clevis Pin	S130051
6	Nylon Tree Rivet	S130120	21	Air Cylinder	1-Port \ S130061
7	Guard	FC5802-18			2-Port \ S130017
8	Number Not Used	N/A	22	Elbow	FC5224-39
9	Cotter Pin, 1/8" X 1 1/4"	41201	23	Clevis	FC5706-7
10	Latch Shaft	FC5901-7	24	1/4" -28NF Hex Nut	40622
11	Washer	FC5301-98	25	Guard	S130014
12	1/4" Hairpin Cotter Pin (.05" dia. wire)	41901	26	Tube Cap	FC248
13	Clevis Pin	FA2230-12	27	Spring Clip	FC7115
14	Latch	FC5706-10			
REAR YOKE END DETAIL					
ITEM	DESCRIPTION	PART NO.	ITEM	DESCRIPTION	PART NO.
1	5/16"-18NC x 3/4" Lg. HHCS	40252	15	Spacer	FC5706-9
2	Sheave Pin	standard	16	3/8" Snap Ring TRUARC #5304-37	41410
		chrome plated	17	Slack Cable Roller	FC553-21
3	Sheave	FC5804-2	18	Kicker	S120103
4	Plastic Spacer	FC5927-10	19	Extension Spring	FC522-25
5	Slider	FC5706-16	20	Clevis Pin	S130051
6	Nylon Tree Rivet	S130120	21	1/4" Flat Washer	40782
7	Guard	FC5802-18	22	Air Cylinder	1-Port \ S130061
8	Number Not Used	N/A			2-Port \ S130017
9	Cotter Pin, 1/8" X 1 1/4"	41201	23	Elbow	FC5224-39
10	Latch Shaft	FC5901-7	24	Clevis	FC5706-7
11	Washer	FC5301-98	25	1/4" -28NF Hex Nut	40622
12	1/4" Hairpin Cotter Pin (.05" dia. wire)	41901			
13	Clevis Pin	FA2230-12			
14	Latch	FC5706-10			



ROLLER ASSEMBLY AND SLIDERS			
ITEM NO.	DESCRIPTION	PART NO.	
1	5/8"-11 x 1" lg. HHCS	40340	
2	5/8" Flat Washer	40980	
3	Roller Assembly	FC5905	
4	Wheel Cover	FC5905-5	
5	Wheel Bearing	FC5905-3	
6	Slider (11/32" thick)	FC5905-4	
7	Wheel Spacer	FC5905-9	
8	Front Yoke	Left	S120089
		Right	S120091
9	Slider (3/16" thick)	FC5905-8	

**Rotary World Headquarters**  
 2700 Lanier Drive  
 Madison, IN 47250, USA  
[www.rotarylif.com](http://www.rotarylif.com)

**North America Contact Information**  
 Tech. Support: p 800.445.5438  
 f 800.578.5438  
 e [userlink@rotarylif.com](mailto:userlink@rotarylif.com)  
 Sales: p 800.640.5438  
 f 800.578.5438  
 e [userlink@rotarylif.com](mailto:userlink@rotarylif.com)

**World Wide Contact Information**  
 World Headquarters/USA: 1.812.273.1622  
 Canada: 1.905.812.9920  
 European Headquarters/Germany: +49.771.9233.0  
 United Kingdom: +44.178.747.7711  
 Australasia: +60.3.7660.0285  
 Latin America / Caribbean: +54.3488.431.608  
 Middle East / Africa: 1.812.273.1622



A DOVER COMPANY

