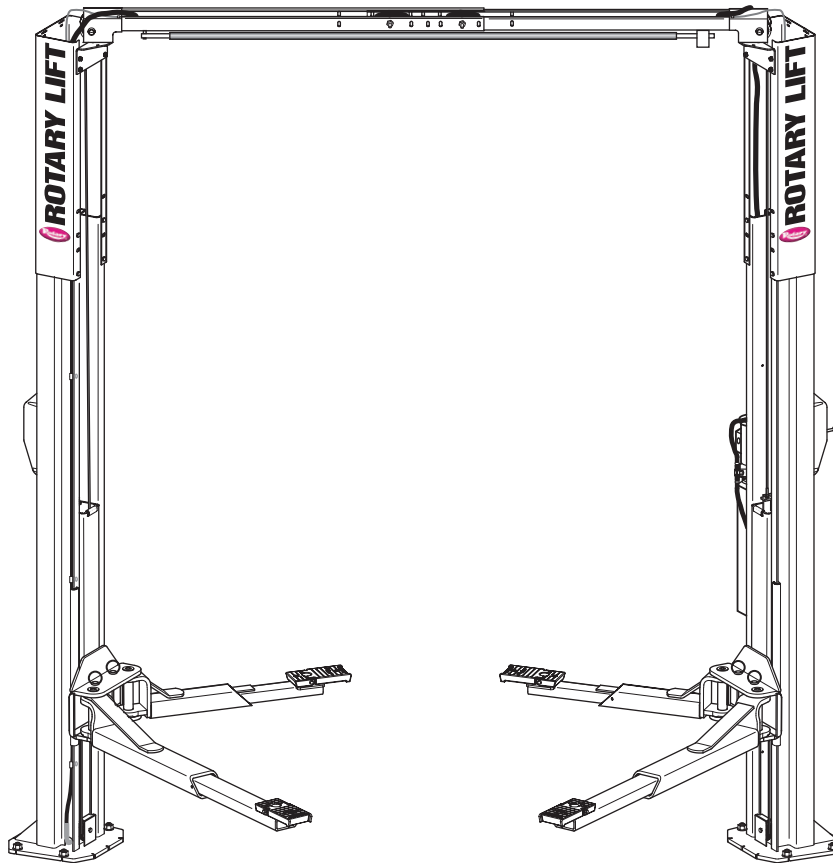


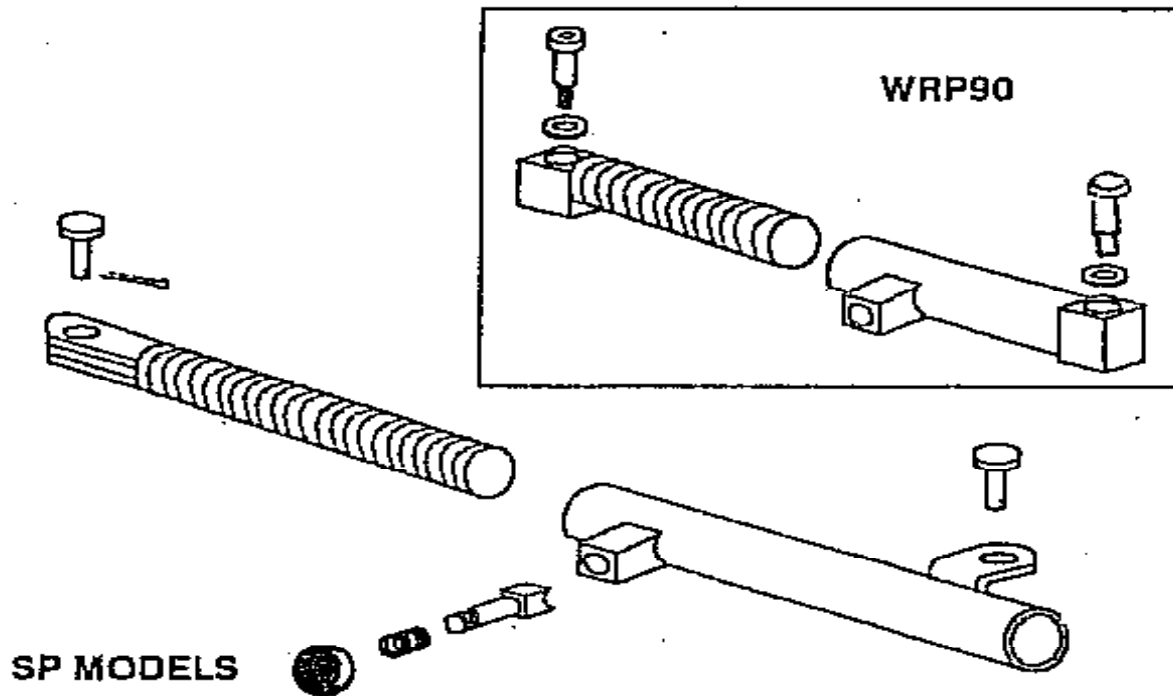


Arm Restraint



P
A
R
T
S

B
R
E
A
K
D
O
W
N



Arm Restraint Kits*		
Model No.	Kit Number	Retrofit Kit**
SP55	FJ7233KIT	N/A
SP84	FJ7233KIT	FJ7252
SP94	FJ7233KIT	FJ7253***
SPO84	FJ7233KIT	FJ7252
SPO94	FJ7233KIT	FJ7253***
SPOA84	FJ7259KIT	FJ7276YL
SP88	FJ7359KIT	****
SP98	FJ7359KIT	****
SPO88	FJ7359KIT	****
SPO98	FJ7359KIT	****
SPOA88	FJ7366	****
SPOA98	FJ7366	****
WRP90	FJ7506KIT	FJ7506KIT

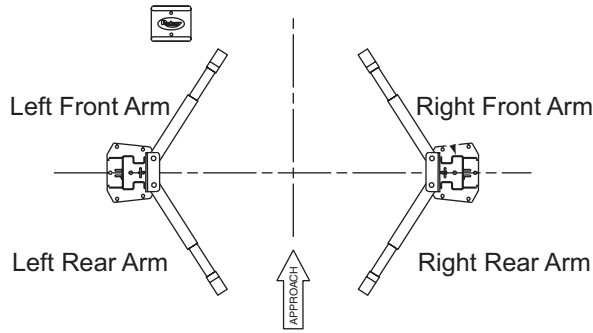
* Note: Includes 4 complete arm restraints.

** Note: Used to convert lifts not originally equipped to accept arm restraints.

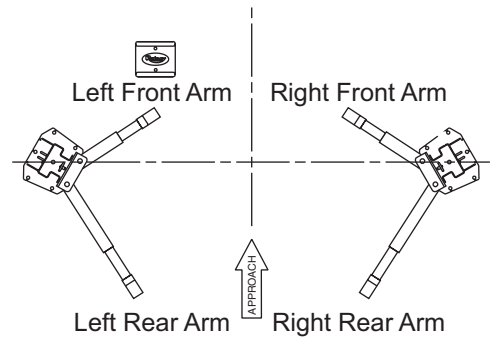
*** Note: Change made to adapters and arms on SP94 beginning with model numbers SP94J , SP94-1G, SPO94D, SPO94B.

All SP94 and SPO94 lifts with revision symbols (alpha, characters) prior to those listed use kit number FJ7254. Change was made November 1986.

**** Note: Arm restraints supplied as original equipment.



Symmetric Plan View

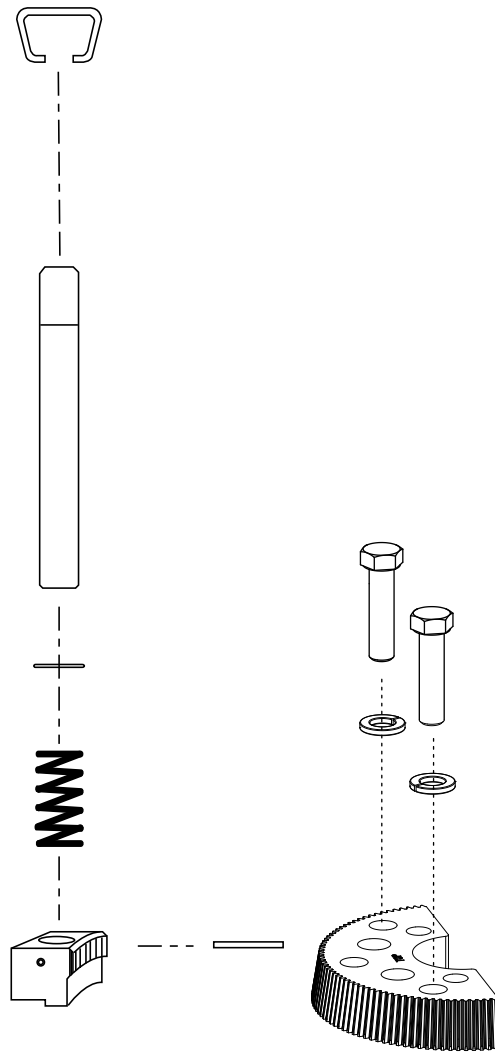


Asymmetric Plan View

Arm Restraint Assemblies				
Model No.	LF	RF	RR	LR
SP55	FJ7516	FJ7517	FJ7516	FJ7517
SP84	FJ7516	FJ7517	FJ7516	FJ7517
SPO84	FJ7516	FJ7517	FJ7516	FJ7517
SP94	FJ7516	FJ7517	FJ7516	FJ7517
SPO94	FJ7516	FJ7517	FJ7516	FJ7517
SPOA84	FJ7519	FJ7518	FJ7521	FJ7520
SP88	FJ7522	FJ7522	FJ7522	FJ7522
SPO88	FJ7522	FJ7522	FJ7522	FJ7522
SP98	FJ7522	FJ7522	FJ7522	FJ7522
SPO98	FJ7522	FJ7522	FJ7522	FJ7522
SPOA88	FJ7524	FJ7524	FJ7523	FJ7523
SPOA98	FJ7524	FJ7524	FJ7523	FJ7523
SPOA7 000-100	N2209	N2209	N2209	N2209
SPOA9 000-400	N2270	N2270	N2270	N2270
SPOA10 500-700	N2270	N2270	N2270	N2270
SPO12-10 to 710	N2270	N2270	N2270	N2270
SPO15 000-210	N2271	N2271	N2271	N2271
SPO18 000-210	N2271	N2271	N2271	N2271
SPO15-310	N2270	N2270	N2270	N2270
SPO18-310	N2270	N2270	N2270	N2270

* N2205 is a complete arm restraint kit for SP07/9, SPOA7/9 200 series and above. Also SPO10 & SPOA10.

N2205 Contains The Following:	
Gear and Pawl Set	N2270
Actuator Rod	N121-1
Truarc Clip	N119-3
Actuator Spring	FJ7656-2
3/8-16NCX11/2HHCS	40201
3/8 Medium Lock Washer	40800
Actuator Pin Handle	FJ7985-1



Rotary World Headquarters

2700 Lanier Drive
Madison, IN 47250, USA
www.rotarylif.com

North America Contact Information

Tech. Support: p 800.445.5438
f 800.578.5438
e userlink@rotarylif.com
Sales: p 800.640.5438
f 800.578.5438
e userlink@rotarylif.com

World Wide Contact Information

World Headquarters/USA: 1.812.273.1622
Canada: 1.905.812.9920
European Headquarters/Germany: +49.771.9233.0
United Kingdom: +44.178.747.7711
Australasia: +60.3.7660.0285
Latin America / Caribbean: +54.3488.431.608
Middle East / Africa: 1.812.273.1622

© Rotary®, Printed in U.S.A., All Rights Reserved. Unless otherwise indicated, ROTARY, DOVER and all other trademarks are property of Dover Corporation and its affiliates.



A DOVER COMPANY

